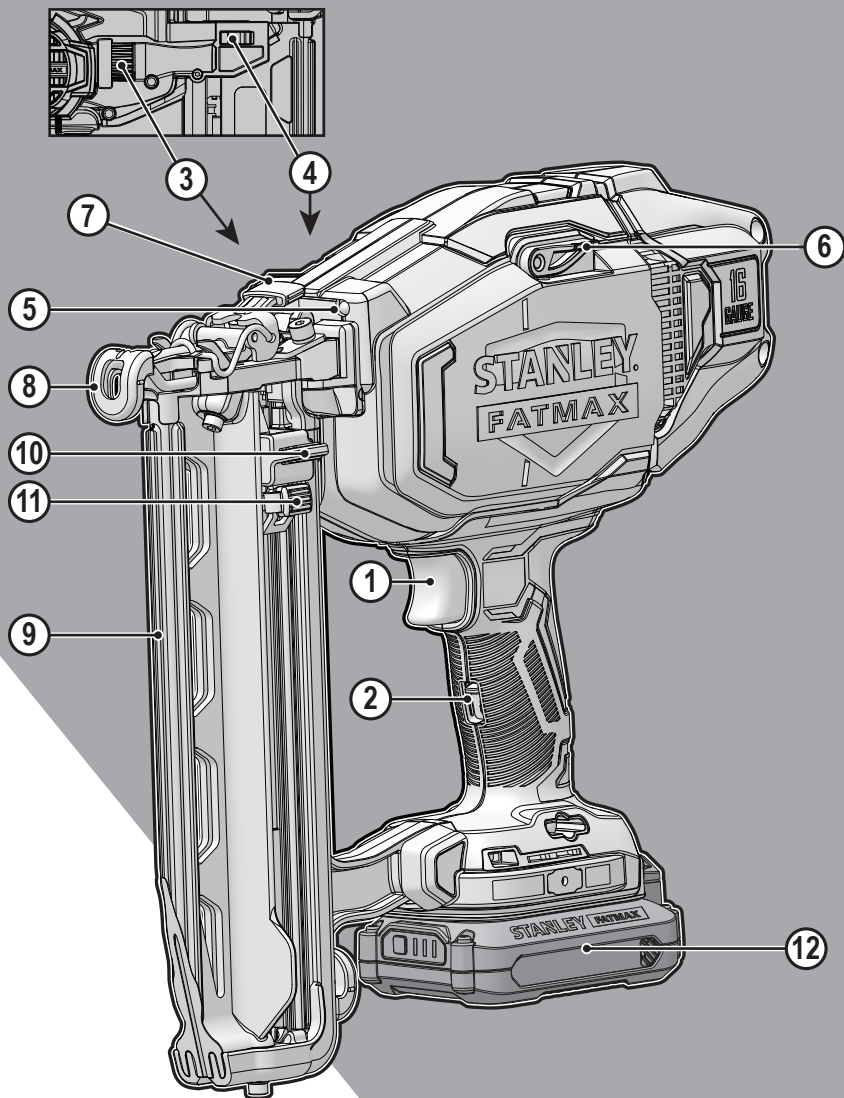


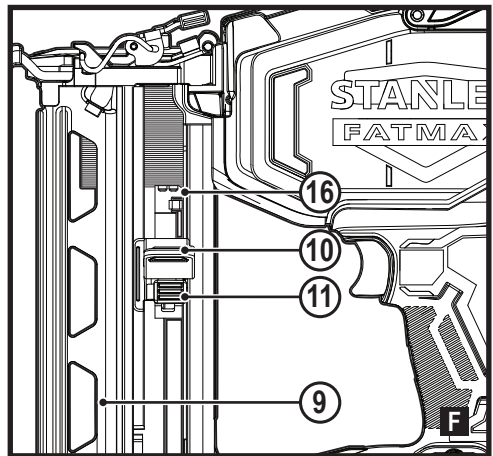
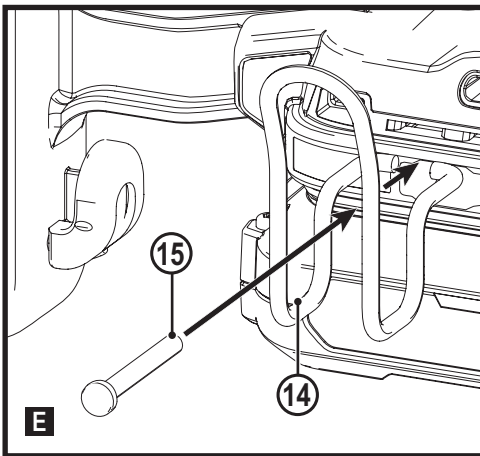
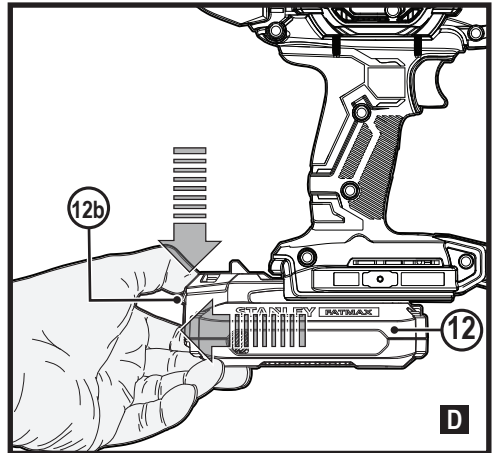
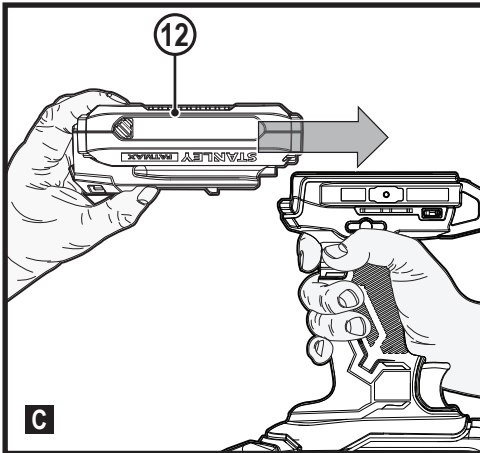
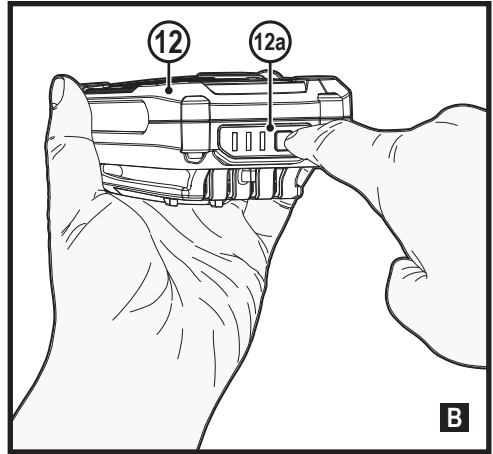
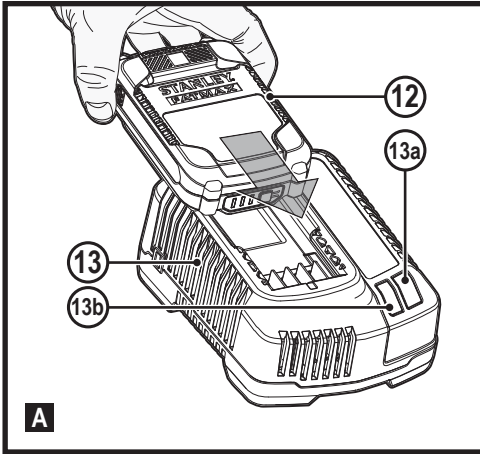
# STANLEY<sup>®</sup> V20

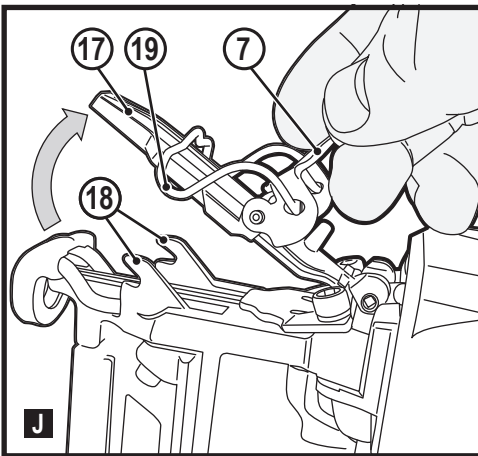
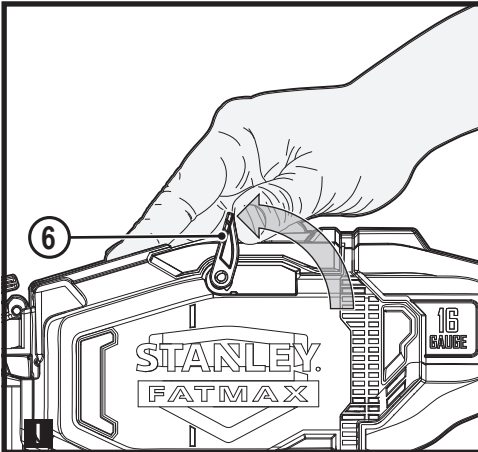
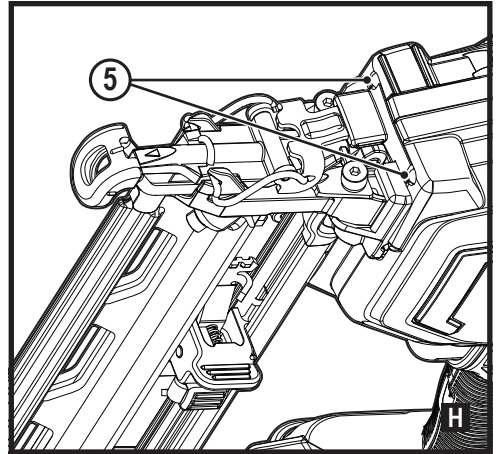
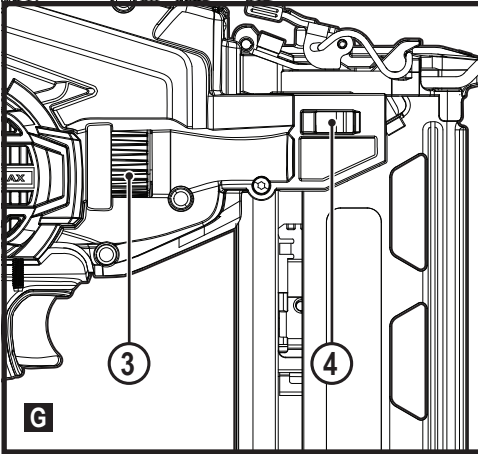
## FATMAX<sup>®</sup> LITHIUM ION



[www.stanley.eu](http://www.stanley.eu)

SFMCN616





### Intended use

Your STANLEY FATMAX SFMCN616 cordless nailer has been designed for nailing. This appliance is intended for professional and private, non-professional users.

### Safety instructions

#### General power tool safety warnings



**Warning! Read all safety warnings, instructions, illustrations and specifications provided with this power tool.** Failure to follow the warnings and instructions listed below may result in electric shock, fire and/or serious injury.

#### Save all warnings and instructions for future reference.

The term "power tool" in all of the warnings listed below refers to your mains operated (corded) power tool or battery operated (cordless) power tool.

#### 1. Work area safety

- a. **Keep work area clean and well lit.** Cluttered or dark areas invite accidents.
- b. **Do not operate power tools in explosive atmospheres, such as in the presence of flammable liquids, gases or dust.** Power tools create sparks which may ignite the dust or fumes.
- c. **Keep children and bystanders away while operating a power tool.** Distractions can cause you to lose control.

#### 2. Electrical safety

- a. **Power tool plugs must match the outlet. Never modify the plug in any way.**  
**Do not use any adapter plugs with earthed (grounded) power tools.** Unmodified plugs and matching outlets will reduce risk of electric shock.

- b. **Avoid body contact with earthed or grounded surfaces such as pipes, radiators, ranges and refrigerators.** There is an increased risk of electric shock if your body is earthed or grounded.
  - c. **Do not expose power tools to rain or wet conditions.** Water entering a power tool will increase the risk of electric shock.
  - d. **Do not abuse the cord. Never use the cord for carrying, pulling or unplugging the power tool. Keep cord away from heat, oil, sharp edges or moving parts.** Damaged or entangled cords increase the risk of electric shock.
  - e. **When operating a power tool outdoors, use an extension cord suitable for outdoor use.** Use of a cord suitable for outdoor use reduces the risk of electric shock.
  - f. **If operating a power tool in a damp location is unavoidable, use a residual current device (RCD) protected supply.** Use of an RCD reduces the risk of electric shock.
3. **Personal safety**
- a. **Stay alert, watch what you are doing and use common sense when operating a power tool.**  
Do not use a power tool while you are tired or under the influence of drugs, alcohol or medication. A moment of inattention while operating power tools may result in serious personal injury.
  - b. **Use personal protective equipment. Always wear eye protection.** Protective equipment such as dust mask, non-skid safety shoes, hard hat, or hearing protection used for appropriate conditions will reduce personal injuries.
  - c. **Prevent unintentional starting. Ensure the switch is in the off-position before connecting to power source and/or battery pack, picking up or carrying the tool.** Carrying power tools with your finger on the switch or energising power tools that have the switch on invites accidents.
  - d. **Remove any adjusting key or wrench before turning the power tool on.** A wrench or a key left attached to a rotating part of the power tool may result in personal injury.
  - e. **Do not overreach. Keep proper footing and balance at all times.** This enables better control of the power tool in unexpected situations.
  - f. **Dress properly. Do not wear loose clothing or jewellery. Keep your hair and clothing away from moving parts.** Loose clothes, jewellery or long hair can be caught in moving parts.
  - g. **If devices are provided for the connection of dust extraction and collection facilities, ensure these are connected and properly used.** Use of dust collection can reduce dust-related hazards.
  - h. **Do not let familiarity gained from frequent use of tools allow you to become complacent and ignore tool safety principles.** A careless action can cause severe injury within a fraction of a second.
4. **Power tool use and care**
- a. **Do not force the power tool. Use the correct power tool for your application.**  
The correct power tool will do the job better and safer at the rate for which it was designed.
  - b. **Do not use the power tool if the switch does not turn it on and off.** Any power tool that cannot be controlled with the switch is dangerous and must be repaired.
  - c. **Disconnect the plug from the power source and/or the battery pack from the power tool before making any adjustments, changing accessories, or storing power tools.** Such preventive safety measures reduce the risk of starting the power tool accidentally.
  - d. **Store idle power tools out of the reach of children and do not allow persons unfamiliar with the power tool or these instructions to operate the power tool.**  
Power tools are dangerous in the hands of untrained users.
  - e. **Maintain power tools and accessories. Check for misalignment or binding of moving parts, breakage of parts and any other condition that may affect the power tools operation. If damaged, have the power tool repaired before use.** Many accidents are caused by poorly maintained power tools.
  - f. **Keep cutting tools sharp and clean.** Properly maintained cutting tools with sharp cutting edges are less likely to bind and are easier to control.
  - g. **Use the power tool, accessories and tool bits etc. in accordance with these instructions, taking into account the working conditions and the work to be performed.**  
Use of the power tool for operations different from those intended could result in a hazardous situation.
  - h. **Keep handles and grasping surfaces dry, clean and free from oil and grease.** Slippery handles and grasping surfaces do not allow for safe handling and control of the tool in unexpected situations.
5. **Battery tool use and care**
- a. **Recharge only with the charger specified by the manufacturer.** A charger that is suitable for one type of battery pack may create a risk of fire when used with another battery pack.
  - b. **Use power tools only with specifically designated battery packs.** Use of any other battery packs may create a risk of injury and fire.
  - c. **When battery pack is not in use, keep it away from other metal objects, like paper clips, coins, keys,**

**nails, screws, or other small metal objects, that can make a connection from one terminal to another.**

Shorting the battery terminals together may cause burns or a fire.

- d. **Under abusive conditions, liquid may be ejected from the battery; avoid contact. If contact accidentally occurs, flush with water. If liquid contacts eyes, additionally seek medical help.** Liquid ejected from the battery may cause irritation or burns.
- e. **Do not use a battery pack or tool that is damaged or modified.** Damaged or modified batteries may exhibit unpredictable behaviour resulting in fire, explosion or risk of injury.
- f. **Do not expose a battery pack or tool to fire or excessive temperature.** Exposure to fire or temperature above 130 °C may cause explosion.
- g. **Follow all charging instructions and do not charge the battery pack or tool outside the temperature range specified in the instructions.** Charging improperly or at temperatures outside the specified range may damage the battery and increase the risk of fire.

## 6. Service

- a. **Have your power tool serviced by a qualified repair person using only identical replacement parts.** This will ensure that the safety of the power tool is maintained.
- b. **Never service damaged BATTERY packs.** Service of BATTERY packs should only be performed by the manufacturer or authorized service providers.

## Additional power tool safety warnings

- ◆ **Use auxiliary handles supplied with the tool. Loss of control can cause personal injury.**
- ◆ **Hold power tool by insulated gripping surfaces when performing an operation where the cutting accessory may contact hidden wiring.** Cutting accessory contacting a "live" wire may make exposed metal parts of the power tool "live" and could give the operator an electric shock.
- ◆ **Hold the power tool by insulated gripping surfaces, when performing an operation where the fastener may contact hidden wiring or its own cord.** Fasteners contacting a "live" wire may make exposed metal parts of the power tool "live" and could give the operator an electric shock.
- ◆ **Use clamps or another practical way to secure and support the workpiece to a stable platform.** Holding the work by hand or against your body leaves it unstable and may lead to loss of control.
- ◆ **Before drilling into walls, floors or ceilings, check for the location of wiring and pipes.**
- ◆ **Avoid touching the tip of a drill bit just after drilling, as it may be hot.**

- ◆ **The intended use is described in this instruction manual.** The use of any accessory or attachment or performance of any operation with this tool other than those recommended in this instruction manual may present a risk of personal injury and/or damage to property.

## Safety of others

- ◆ **Never allow children, persons with reduced physical, sensory or mental capabilities or lack of experience and knowledge or people unfamiliar with these instructions to use the machine,**
- ◆ **Local regulations may restrict the age of the operator.**
- ◆ **Never operate the machine while people, especially children, or pets are nearby.**

## Additional Safety Instructions for Cordless Nailers

- ◆ **Always wear safety glasses.**
- ◆ **Always wear ear protection.**
- ◆ **Only use fasteners of the type specified in the manual.**
- ◆ **Do not use any stands for mounting the tool to a support.**
- ◆ **Do not disassemble or block any parts of the fastener driving tool such as the contact trip.**
- ◆ **Prior to each operation check that the safety and triggering mechanism is functioning properly and that all nuts and bolts are tight.**
- ◆ **Do not use the tool as a hammer.**
- ◆ **Do not use the tool on a ladder.**
- ◆ **Never point any operational fastener driving tool at yourself or at any other person.**
- ◆ **While working, hold the tool in such a way that no injuries can be caused to the head or to the body in the event of a possible recoil due to a disruption in the energy supply or hard areas within the work piece.**
- ◆ **Never actuate the fastener driving tool into free space.**
- ◆ **In the work area, carry the tool at the workplace using only one handle, and never with the trigger actuated.**
- ◆ **Consider the conditions in the work area. Fasteners can penetrate thin work pieces or slip off corners and edges of the work piece, and thus put people at risk.**
- ◆ **Do not drive fasteners close to the edge of the work piece.**
- ◆ **Do not drive fasteners on top of other fasteners.**
- ◆ **Always assume that the tool contains fasteners.** Careless handling of the nailer can result in unexpected firing of fasteners and personal injury.
- ◆ **Do not point the tool towards yourself or anyone nearby.** Unexpected triggering will discharge the fastener causing injury.
- ◆ **Do not actuate the tool unless it is placed firmly against the workpiece.** If the tool is not in contact, the fastener may be deflected away from your target.

- ◆ **Disconnect the tool from the power source when the fastener jams in the tool.** While removing a jammed fastener, the nailer may be accidentally activated if it is plugged in.
- ◆ **Do not use this tool for fastening electrical cables.** It is not designed for electric cable installation and may damage the insulation of electric cables thereby causing electric shock or fire hazards.



**Warning!** To reduce the risk of injury, the user must wear ear and eye protection.



**Caution:** Do not stare at operating lamp.



Keep hands and body parts clear of immediate work area.



To illuminate the immediate work surface as well as a low battery indicator and a jammed nail indicator.

### Residual risks

Additional residual risks may arise when using the tool which may not be included in the enclosed safety warnings. These risks can arise from misuse, prolonged use etc. Even with the application of the relevant safety regulations and the implementation of safety devices, certain residual risks can not be avoided. These include:

- ◆ Injuries caused by touching any rotating/moving parts.
- ◆ Injuries caused when changing any parts, blades or accessories.
- ◆ Injuries caused by prolonged use of a tool. When using any tool for prolonged periods ensure you take regular breaks.
- ◆ Impairment of hearing.
- ◆ Health hazards caused by breathing dust developed when using your tool (example:- working with wood, especially oak, beech and MDF.)

### Vibration

The declared vibration emission values stated in the technical data and the declaration of conformity have been measured in accordance with a standard test method provided by EN60745 and may be used for comparing one tool with another. The declared vibration emission value may also be used in a preliminary assessment of exposure.

**Warning!** The vibration emission value during actual use of the power tool can differ from the declared value depending on the ways in which the tool is used. The vibration level may increase above the level stated.

When assessing vibration exposure to determine safety measures required by 2002/44/EC to protect persons regularly using power tools in employment, an estimation of vibration exposure should consider, the actual conditions of use and the way the tool is used, including taking account of all parts of the operating cycle such as the times when the tool is switched off and when it is running idle in addition to the trigger time.

### Labels on tool

The following symbols are shown on the tool along with the date code:



**Warning!** To reduce the risk of injury, the user must read the instruction manual.

### Additional safety instructions for batteries and chargers

#### Batteries

- ◆ Never attempt to open for any reason.
- ◆ Do not expose the battery to water.
- ◆ Do not store in locations where the temperature may exceed 40 °C.
- ◆ Charge only at ambient temperatures between 10 °C and 40 °C.
- ◆ When disposing of batteries, follow the instructions given in the section "Protecting the environment".
- ◆ Do not damage/deform the battery pack either by puncture or impact, as this may create a risk of injury and fire.
- ◆ Do not charge damaged batteries.
- ◆ Under extreme conditions, battery leakage may occur. When you notice liquid on the batteries Carefully wipe the liquid off using a cloth. Avoid skin contact.
- ◆ In case of skin or eye contact, follow the instructions below.

**Warning!** The battery fluid may cause personal injury or damage to property. In case of skin contact, immediately rinse with water. If redness, pain or irritation occurs seek medical attention. In case of eye contact, rinse immediately with clean water and seek medical attention.

#### Chargers

- ◆ Use your STANLEY FATMAX charger only to charge the battery in the tool with which it was supplied. Other batteries could burst, causing personal injury and damage.
- ◆ Never attempt to charge non-rechargeable batteries.
- ◆ Have defective cords replaced immediately.
- ◆ Do not expose the charger to water.
- ◆ Do not open the charger.
- ◆ Do not probe the charger

## Symbols on charger



The charger is intended for indoor use only.



Read the instruction manual before use.



Do not attempt to charge damaged batteries.

## Electrical safety



Your charger is double insulated; therefore no earth wire is required. Always check that the mains voltage corresponds to the voltage on the rating plate. Never attempt to replace the charger unit with a regular mains plug.

- ◆ If the supply cord is damaged, it must be replaced by the manufacturer or an authorised STANLEY FATMAX Service Centre in order to avoid a hazard.

**Warning!** Never attempt to replace the charger unit with a regular mains plug.

## Mains plug replacement (U.K. & Ireland only)

If a new mains plug needs to be fitted:

- ◆ Safely dispose of the old plug.
- ◆ Connect the brown lead to the live terminal in the new plug.
- ◆ Connect the blue lead to the neutral terminal.

**Warning!** No connection is to be made to the earth terminal. Follow the fitting instructions supplied with good quality plugs. Recommended fuse: 5 A.

## Features

This appliance includes some or all of the following features.

1. Trigger Switch
2. Trigger Lock-Off switch
3. Depth adjustment wheel
4. Depth adjustment indicator
5. Worklights/low battery/jam/stall indicator
6. Stall release lever
7. Jam clearing latch
8. Contact trip
9. Magazine
10. Pusher latch
11. Pusher latch release
12. Battery

## Use

**Warning!** Let the tool work at its own pace. Do not overload.

## Charging the battery (Fig. A)

The battery needs to be charged before first use and whenever it fails to produce sufficient power on jobs that were easily done before. The battery may become warm while charging; this is normal and does not indicate a problem.







**Warning!** Do not charge the battery at ambient temperatures below 10 °C or above 40 °C. Recommended charging temperature: approx. 24 °C.

**Note: The charger will not charge a battery if the cell temperature is below approximately 10 °C or above 40 °C. The battery should be left in the charger and the charger will begin to charge automatically when the cell temperature warms up or cools down.**

**Note:** To ensure maximum performance and life of lithium-ion battery packs, charge the battery pack fully before first use.

- ◆ Plug the charger (13) into an appropriate outlet before inserting battery pack (12).
- ◆ The green charging light (13a) will blink continuously indicating that the charging process has started.
- ◆ The completion of charge will be indicated by the green charging light (13a) remaining ON continuously. The battery pack (12) is fully charged and may be removed and used at this time or left in the charger (13).
- ◆ Charge discharged batteries within 1 week. Battery life will be greatly diminished if stored in a discharged state.

## Charger LED Modes

	<b>Charging:</b> Green LED Intermittent	
	<b>Fully Charged:</b> Green LED Solid	
	<b>Hot/Cold Pack Delay:</b> Green LED Intermittent Red LED Solid	

**Note:** The compatible charger(s) will not charge a faulty battery pack. The charger will indicate a faulty battery pack by refusing to light.

**Note:** This could also mean a problem with a charger. If the charger indicates a problem, take the charger and battery pack to be tested at an authorized service centre.

## Leaving the battery in the charger

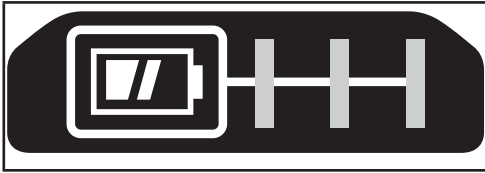
The charger and battery pack can be left connected with the LED glowing indefinitely. The charger will keep the battery pack fresh and fully charged.

## Hot/Cold Pack Delay

When the charger detects a battery that is too hot or too cold, it automatically starts a Hot/Cold Pack Delay, the green LED (13a) will flash intermittently, while the red LED (13b) will remain on continuously, suspending charging until the battery has reached an appropriate temperature. The charger then automatically switches to the pack charging mode. This feature ensures maximum battery life.

## Battery state of charge indicator (Fig. B)

The battery includes a state of charge indicator to quickly determine the extent of battery life as shown in figure B. By pressing the state of charge button (12a) you can easily view the charge remaining in the battery as illustrated in figure B.



## Installing and Removing the Battery Pack from the tool

**Warning!** Make certain the lock-off button is engaged to prevent switch actuation before removing or installing battery.

### To install battery pack (Fig. C)

- ◆ Insert battery pack firmly into tool until an audible click is heard as shown in figure C. Ensure battery pack is fully seated and fully latched into position.

### To remove battery pack (Fig. D)

- ◆ Depress the battery release button (12b) as shown in figure D and pull battery pack out of tool.

## Hang hook (Fig. E)

**Warning!** Remove nails from magazine before making any adjustments or servicing this tool. Failure to do so may result in serious injury.

**Warning!** To reduce the risk of serious personal injury, place the forward/reverse button in the lock-off position or turn tool off and disconnect battery pack before making any adjustments or removing/installing attachments or accessories. An accidental start-up can cause injury.

**Warning!** To reduce the risk of serious personal injury, ensure the screw (15) holding the hang hook is secure.

**Caution:** When not in use, place tool on its side on a stable surface where it will not cause a tripping or falling hazard. Some tools with large battery packs will stand upright on the battery pack but may be easily knocked over.

Note: When attaching or replacing the hang hook (14) use only the screw (15) that is provided. Be sure to securely tighten the screw.

If the hook is not desired at all, it can be removed from the tool.

To move the hang hook, remove the screw (15) that holds the hang hook (14) in place.

Note: Various trackwall hooks and storage configurations are available.

Please visit our website [www.stanley.eu/3](http://www.stanley.eu/3) for further information.

## Operation

**Warning!** Read the section titled Nailer Safety Warnings at the beginning of this manual. Always wear eye and ear protection when operating this tool. Keep the nailer pointed away from yourself and others. For safe operation, complete the following procedures and checks before each use of the nailer.

**Warning!** To reduce the risk of personal injury, disconnect battery pack from tool and engage trigger lock-off before performing maintenance, clearing a jammed nails, leaving work area, moving tool to another location or handing the tool to another person.

**Warning!** Keep fingers AWAY from trigger when not driving fasteners to avoid accidental firing. Never carry tool with finger on trigger.

- ◆ Wear proper eye, hearing and respiratory protection.
- ◆ Remove battery pack from tool and engage trigger lock-off.
- ◆ Lock the pusher in the back position and remove all nail strips from the magazine.
- ◆ Check for smooth and proper operation of contact trip and pusher assemblies. Do not use tool if either assembly is not functioning properly.
- ◆ Never use a tool that has damaged parts.

**Warning! Operate the tool with fasteners at a rate not exceed 30 times/min.**

## To operate the nailer

**Warning!** The contact trip needs to be depressed followed by a full trigger pull for each nail followed by a release of both the contact trip and trigger after each nail.

**Warning!** The battery should always be removed and the trigger lock-off engaged whenever any adjustments are made or when tool is not in use.

- ◆ Fully depress contact trip (8) against the work surface.
- ◆ Fully pull trigger (1) and motor will start. (nail will drive into work surface).
- ◆ Release trigger.
- ◆ Lift contact trip off work surface.
- ◆ Repeat the above 4 steps for next application



## Preparing the tool

**Warning!** NEVER spray or in any other way apply oil, lubricants or cleaning solvents inside the tool. This can seriously affect the life and performance of the tool.

**Warning!** The battery should always be removed and the trigger lock-off engaged whenever any adjustments are made or when tool is not in use.

- ◆ Read the Safety Instruction section of this manual.
- ◆ Wear eye and ear protection.
- ◆ Remove battery from tool and fully charge.
- ◆ Ensure magazine is empty of all fasteners.
- ◆ Check for smooth and proper operation of contact trip and pusher assemblies. Do not use tool if either assembly is not functioning properly.
- ◆ Keep tool pointed away from yourself and others.
- ◆ Insert fully charged battery pack.

## Loading the Tool (Fig. F)

**Warning!** Keep the tool pointed away from yourself and others. Serious personal injury may result.

**Warning!** Never load nails with the contact trip or trigger activated.

**Warning!** Always remove battery pack before loading or unloading nails.

**Warning!** The battery should always be removed and the trigger lock-off engaged whenever any adjustments are made or when tool is not in use.

**Warning!** Keep fingers clear of pusher to prevent injury.

- ◆ Insert fasteners into the bottom of the magazine (9).
- ◆ Pull pusher latch (10) downward until the nail follower (16) falls behind the nails as shown in figure F.
- ◆ Release the pusher latch(10).

## Unloading the Tool

**Warning!** The battery should always be removed and the trigger lock-off engaged whenever any adjustments are made or when tool is not in use.

- ◆ Press pusher latch release button (11).
- ◆ Manually slide nails towards the bottom of the magazine (9).
- ◆ Open the jam clear door on the nosepiece to verify there are no nails remaining.

## Adjusting Depth (Fig. G)

The depth that the fastener is driven can be adjusted using the depth adjustment wheel (3) on the side of the tool.

**Warning!**To reduce risk of serious injury from accidental actuation when attempting to adjust depth, Always:

- ◆ Remove battery pack.
- ◆ Engage trigger lock-off.
- ◆ Avoid contact with trigger during adjustments.

Depth settings are on a sliding scale on the depth adjustment indicator (4). The left side indicating the deepest and the right side indicating the shallowest.

- ◆ To drive a nail deeper, rotate the depth adjustment wheel (3) downwards. This will slide the depth adjustment indicator (4) to the left on the scale.
- ◆ To drive a nail shallower, rotate the depth adjustment wheel (3) upwards. This will slide the depth adjustment indicator (4) to the right on the scale.

## Work lights (Fig. H)

There are work lights (5) located on each side of the nailer. Work lights turn on upon depressing the contact trip.

**Note:** These work lights are for illuminating the immediate work surface and are not intended to be used as flashlights.



### Low Battery Indicator

The work lights will flash and then turn off completely to indicate low battery.



### Jammed Nail Indicator

The work lights will flash continually if a nail becomes jammed in the nose piece (see Clearing a jammed nail).

## Stall Release (Fig. I)

**Warning!** If a stall occurs, the tool will disable itself and will require you to reset it. To do so, follow instructions on clearing a stalled condition. Next remove battery pack and then reinsert battery pack. The tool will now be operational. If the nailer is used in a rigorous application where all available energy in the motor is used to drive a fastener, the tool may stall. The driver blade did not complete the drive cycle and the jam/stall indicator will flash. Rotate the stall release lever (6) on the tool and the mechanism will release.

**Note!** The tool will disable itself and not reset until the battery pack has been removed and reinserted. If the unit continues to stall please review the material and fastener length to be sure that it is not too rigorous an application. If the driver blade does not automatically return to the home position after rotating the stall release lever, proceed to "clearing a jammed nail".



### Clearing a Jammed Nail (Fig. I, J)

**Warning!** To reduce the risk of personal injury, disconnect battery pack from tool and engage trigger lock-off before performing maintenance, or clearing a jammed nail.

If a nail becomes jammed in the nosepiece, keep the tool pointed away from you and follow these instructions to clear:

- ◆ Remove battery pack from tool and engage trigger lock-off.



- ◆ Rotate the stall release lever (6) on the tool to release the driver blade and clear the jam. If tool is still jammed follow the 9 steps listed below:

- ◆ Pull pusher downward until it locks in place then tip the tool over so the nails slide freely out from the bottom of the magazine.



- ◆ Lift the jam clearing latch (7) then pull up to open front door (17).
- ◆ Remove bent nail, using pliers if necessary.
- ◆ If driver blade is in the down position, insert screwdriver or other rod into nosepiece and push driver blade back in position.
- ◆ Close the front door and engage the wire form (19) under the two arms (18) on the contact trip. Push jam clearing latch down (7) until it locks in place.
- ◆ Reinsert nails into magazine (see Loading the Tool).
- ◆ Pull pusher (10) downward until the nail follower (16) falls behind the nails as shown in figure G.
- ◆ Reinsert battery pack.
- ◆ Disengage trigger lock-off (2), allowing the trigger to be actuated.

**Warning!** If a jam occurs, the tool will disable itself and will require you to reset it. To do so, follow instructions on clearing the jammed nail. Next remove battery pack and then reinsert battery pack. The tool will now be operational.

**Note!**Should nails continue to jam frequently in contact trip, have tool serviced by an authorized STANLEY FATMAX service center.

### Cold Weather Operation

When operating tools at temperatures below freezing:

- ◆ Keep tool as warm as possible prior to use.
- ◆ Actuate the tool 5 or 6 times into scrap lumber before using.

### Hot Weather Operation

Tool should operate normally. However, keep tool out of direct sunlight as excessive heat can deteriorate bumpers and other rubber parts resulting in increased maintenance.

### Replacement parts

**Warning!**To reduce the risk of personal injury, disconnect battery pack from tool and engage trigger lock-off before performing maintenance, or clearing a jammed nail.

The tool comes equipped with a spare no mar tip located on the side of the nail magazine.

- ◆ To replace the no mar pad, simply pull off the old no mar pad and refit the new no mar pad onto the contact trip.

Use only identical replacement parts. For a parts list or to order parts, visit our service website at [www.stanley.eu/3co.uk](http://www.stanley.eu/3co.uk). You can also order parts from your nearest STANLEY FATMAX Factory Service Center or STANLEY FATMAX Authorized Warranty.

### Troubleshooting

If your appliance seems not to operate properly, follow the following instructions. If this does not solve the problem, please contact your local STANLEY FATMAX repair agent.

**Warning!** Before proceeding, unplug the appliance.

Problem	Possible Cause	Possible Solution
Unit will not start.	Battery pack not installed properly.	Check battery pack installation.
	Battery pack not charged.	Check battery pack charging requirements.
	Trigger lock-off is engaged.	Disengage trigger lock-off.
Tool doesn't actuate. (Headlights on, motor does not run)	Motor stops running after 2 seconds.	Normal operation; release trigger or contact trip and re-depress.
Tool doesn't actuate. (Headlights flash)	Low battery charge or damaged battery.	Charge or replace battery.
Tool doesn't actuate. (Headlights flash continuously)	Jammed fastener / tool stalled.	Remove the battery, rotate the stall release lever. Clear the jammed fastener and reinsert battery pack.
	Jammed mechanism	See authorized service center.
Tool doesn't actuate (Headlights on, motor runs, driver blade stuck down)		See authorized service center.

Problem	Possible Cause	Possible Solution
Tool operates, but does not drive the fastener fully.	Low battery charge or damaged battery.	Charge or replace battery.
	Depth adjustment set too shallow.	Rotate depth adjustment wheel to a deeper setting.
	Tool not firmly applied to workpiece.	Read instruction manual.
	Material and fastener length too rigorous an application.	Choose appropriate material or fastener length.

## Maintenance

Your STANLEY FATMAX corded/cordless appliance/tool has been designed to operate over a long period of time with a minimum of maintenance. Continuous satisfactory operation depends upon proper tool/appliance care and regular cleaning.

**Warning!** Switch off and unplug the appliance before carrying out any cleaning.

- ◆ Dirt and grease may be removed from the exterior of the appliance using a cloth.

**Warning!** NEVER use solvents or other harsh chemicals for cleaning the non-metallic parts of the appliance. These chemicals may weaken the materials used in these parts. Use a cloth dampened only with water and mild soap. Never let any liquid get inside the unit; never immerse any part of the unit into a liquid.

**Warning!** NEVER spray or in any other way apply lubricants or cleaning solvents inside the tool. This can seriously affect the life and performance of the tool.

## Service Notes

This product is not user serviceable. There are no user serviceable parts inside the nailer. Servicing at an authorized service center is required to avoid damage to static sensitive internal components.

## Protecting the environment



Separate collection. Products and batteries marked with this symbol must not be disposed of with normal household waste.

Products and batteries contain materials that can be recovered or recycled reducing the demand for raw materials. Please recycle electrical products and batteries according to local provisions. Further information is available at [www.2helpU.com](http://www.2helpU.com)

## Technical data

		SFMCN616 Type:H1
Voltage	V <sub>DC</sub>	18
Battery Type		Li-Ion
Actuating mode		Sequential
Magazine angle		Straight
No load speed	/min	9100
Drive energy	approx	60J
Weight (bare tool)	kg	2.6

Fasteners		
Length	mm	25 - 64
Shank diameter	mm	1.6
Angle		Straight

Charger		SFMCB11	SFMCB12	SFMCB14
Input Voltage	V <sub>AC</sub>	230	230	230
Output Voltage	V <sub>DC</sub>	18	18	18
Current	A	1.25	2	4

Battery		SFMCB201	SFMCB202	SFMCB204	SFMCB206
Voltage	V <sub>DC</sub>	18	18	18	18
Capacity	Ah	1.5	2.0	4.0	6.0
Type		Li-Ion	Li-Ion	Li-Ion	Li-Ion

### Level of sound pressure according to EN60745:

Sound pressure (L<sub>pA</sub>) 84 dB(A), uncertainty (K) 3 dB(A)

Sound power (L<sub>WA</sub>) 95 dB(A), uncertainty (K) 3 dB(A)

### Vibration total values (triax vector sum) according to EN60745:

Staple nails (a<sub>v</sub>) 2.8 m/s<sup>2</sup>, uncertainty (K) 1.8 m/s<sup>2</sup>

**EC declaration of conformity**

MACHINERY DIRECTIVE



SFMCN616 - Cordless Nailer

STANLEY Europe declares that these products described under EN60745-1:2009 + A11:2010; EN60745-2-16:2010.

These products also comply with Directive 2006/42/EC, 2014/30/EU and 2011/65/EU. For more information, please contact STANLEY Europe at the following address or refer to the back of the manual.

For more information, please contact STANLEY FATMAX at the following address or refer to the back of the manual.

The undersigned is responsible for compilation of the technical file and makes this declaration on behalf of STANLEY FATMAX.

A handwritten signature in black ink, appearing to read 'A.P. Smith', written in a cursive style.

A.P. Smith

Technical Director of Engineering  
STANLEY FATMAX Europe, Egide Walschaertsstraat14-18,  
2800 Mechelen, Belgium  
06.08.2019

**Guarantee**

STANLEY FATMAX is confident of the quality of its products and offers consumers a 12 month guarantee from the date of purchase. This guarantee is in addition to and in no way prejudices your statutory rights. The guarantee is valid within the territories of the Member States of the European Union and the European Free Trade Area.

To claim on the guarantee, the claim must be in accordance with STANLEY FATMAX Terms and Conditions and you will need to submit proof of purchase to the seller or an authorised repair agent. Terms and conditions of the STANLEY FATMAX 1 year guarantee and the location of your nearest authorised repair agent can be obtained on the Internet at [www.2helpU.com](http://www.2helpU.com), or by contacting your local STANLEY FATMAX office at the address indicated in this manual.

Please visit our website [www.stanley.eu/3](http://www.stanley.eu/3) to register your new STANLEY FATMAX product and receive updates on new products and special offers.

## Назначение

Ваш аккумуляторный гвоздезабиватель STANLEY FATMAX SFMCN616 предназначен для забивания гвоздей. Данный инструмент предназначен для профессионального использования, а также для бытового использования частными пользователями.

## Правила техники безопасности

### Общие правила безопасности при работе с электроинструментом



**Внимание! Прочитайте и просмотрите все предупреждения, инструкции, иллюстрации и спецификации по данному электроинструменту.** Несоблюдение представленных ниже предупреждений и инструкций может привести к поражению электрическим током, возгоранию и/или тяжелым травмам.

Сохраните все инструкции для последующего обращения к ним. Термин «электроинструмент» во всех приведенных ниже предупреждениях относится к питаемому от электросети (проводному) или от аккумуляторных батарей (беспроводному) электроинструменту.

1. **Безопасность на рабочем месте**
  - a. **Содержите рабочее место в чистоте и обеспечьте его хорошую освещенность.** Беспорядок или плохое освещение на рабочем месте могут стать причиной несчастного случая.
  - b. **Не используйте электроинструмент во взрывоопасной атмосфере, например, при наличии горючих жидкостей, газов или пыли.** Искры, которые появляются при работе электроинструментов могут привести к воспламенению пыли или паров.
  - c. **Не разрешайте детям и посторонним лицам находиться рядом с вами при работе с электроинструментом.** Отвлекаясь от работы вы можете потерять контроль над инструментом.
2. **Электробезопасность**
  - a. **Сетевые вилки электроинструмента должны соответствовать розеткам. Никогда не меняйте вилку инструмента.** Запрещается использовать переходники к вилкам для электроинструментов с заземлением. Использование оригинальных штепсельных вилок, соответствующих типу сетевой розетки снижает риск поражения электрическим током.
    - b. **Следует избегать контакта с заземленными поверхностями, такими как трубы, радиаторы, батареи и холодильники.** Если вы будете заземлены, увеличивается риск поражения электрическим током.
    - c. **Не допускайте нахождения электроинструментов под дождем или в условиях повышенной влажности.** При попадании воды в электроинструмент, риск поражения электрическим током возрастает.
    - d. **Бережно обращайтесь с кабелем питания. Никогда не используйте кабель для переноски электроинструмента, не тяните за него, пытайтесь отключить инструмент от сети. Держите кабель подальше от источников тепла, масла, острых углов или движущихся предметов.** Поврежденный или запутанный кабель питания повышает риск поражения электрическим током.
    - e. **При работе с электроинструментом вне помещения необходимо пользоваться удлинителем, рассчитанным на эксплуатацию в соответствующих условиях.** Использование кабеля питания, предназначенного для использования вне помещения, снижает риск поражения электрическим током.
    - f. **При необходимости эксплуатации электроинструмента в местах с повышенной влажностью используйте устройство защитного отключения (УЗО).** Использование УЗО снижает риск поражения электрическим током.
3. **Обеспечение индивидуальной безопасности**
  - a. **При работе с электроинструментом сохраняйте бдительность, действуйте внимательно и руководствуйтесь здравым смыслом. Не работайте с электроинструментом, если вы устали, находитесь в состоянии наркотического, алкогольного опьянения или под воздействием лекарственных препаратов.** Невнимательность при работе с электроинструментом может привести к серьезным травмам.
  - b. **Используйте средства индивидуальной защиты. Всегда надевайте защитные очки.** Средства защиты, такие как пылезащитная маска, обувь с нескользящей подошвой, каска и защитные наушники, используемые при работе, уменьшают риск получения травм.
  - c. **Примите меры для предотвращения случайного включения. Перед тем как подключить электроинструмент к сети и/или аккумуляторной батарее, взять инструмент или перенести его в другое место, убедитесь в том, что выключатель находится в положении «Выкл.».** Если при

- переноске электроинструмент оставлять подключенным к сети электропитания, и при этом ваш палец будет находиться на выключателе, это может стать причиной несчастных случаев.
- d. **Уберите все регулировочные или гаечные ключи перед включением электроинструмента.** Ключ, оставленный на вращающейся части электроинструмента, может травмировать.
- e. **Не пытайтесь дотянуться до слишком удаленных поверхностей. Всегда твердо стойте на ногах, сохраняя равновесие.** Это позволит лучше контролировать электроинструмент в непредвиденных ситуациях.
- f. **Надевайте подходящую одежду. Не носите свободную одежду и ювелирные украшения.** Следите за тем, чтобы волосы и одежда не попадали под движущиеся детали. Возможно наматывание свободной одежды, ювелирных изделий и длинных волос на движущиеся детали.
- g. **При наличии устройств для подключения оборудования для удаления и сбора пыли необходимо обеспечить правильность их подключения и эксплуатации.** Использование устройства для пылеудаления сокращает риски, связанные с пылью.
- h. **Не позволяйте хорошему знанию от частого использования инструментов стать причиной самонадеянности и игнорирования правил техники безопасности.** Небрежное действие может стать причиной серьезной травмы за долю секунды.
4. **Эксплуатация электроинструмента и уход за ним**
- a. **Избегайте чрезмерной нагрузки электроинструмента. Используйте электроинструмент в соответствии с назначением.** Правильно подобранный электроинструмент выполнит работу более эффективно и безопасно при стандартной нагрузке.
- b. **Не используйте электроинструмент, если не работает его выключатель.** Любой инструмент, управлять включением и выключением которого невозможно, представляет опасность и подлежит ремонту.
- c. **Перед выполнением любой регулировки, заменой дополнительных принадлежностей или хранением электроинструмента отключите инструмент от сети или извлеките батарею из инструмента.** Такие превентивные меры безопасности снижают риск случайного включения электроинструмента.
- d. **Храните электроинструмент в недоступном для детей месте и не позволяйте работать с инструментом людям, не имеющим соответствующих навыков работы с такого рода инструментами.**
- Электроинструмент представляет опасность в руках неопытных пользователей.
- e. **Поддерживайте электроинструмент и насадки в исправном состоянии. Проверьте движущиеся детали на точность совмещения или заклинивание, наличие поломок или каких-либо других условий, которые могут повлиять на эксплуатацию электроинструмента. В случае обнаружения повреждений, прежде чем приступить к эксплуатации электроинструмента, его следует отремонтировать.** Большинство несчастных случаев происходит из-за электроинструментов, которые не обслуживаются должным образом.
- f. **Необходимо содержать режущий инструмент в остро заточенном и чистом состоянии.** Вероятность заклинивания инструмента, за которым следят должным образом и который хорошо заточен, значительно меньше, и работать с ним легче.
- g. **Используйте данный электроинструмент, а также дополнительные принадлежности и насадки в соответствии с данными инструкциями и с учетом условий и специфики работы.** Использование электроинструмента для выполнения операций, для которых он не предназначен, может привести к возникновению опасных ситуаций.
- h. **Все рукоятки и поверхности захватывания должны быть сухими и без следов смазки.** Скользкие рукоятки и поверхности захватывания не обеспечивают должную безопасность работы и управления инструментом в непредвиденных ситуациях.
5. **Использование инструментов с аккумуляторами и уход за ними**
- a. **Используйте для зарядки аккумуляторной батареи только указанное производителем зарядное устройство.** Использование зарядного устройства определенного типа для зарядки других батарей может привести к возгоранию.
- b. **Используйте для электроинструмента только батареи указанного типа.** Использование других аккумуляторных батарей может стать причиной травмы и пожара.
- c. **Избегайте попадания внутрь батареи скрепок, монет, ключей, гвоздей, болтов или других мелких металлических предметов, которые могут вызывать замыкание ее контактов.** Короткое замыкание контактов аккумуляторной батареи может привести к пожару или ожогу.

- d. При повреждении батареи, из нее может вытечь электролит; избегайте контакта с ним. При случайном контакте с электролитом смойте его водой. При попадании электролита в глаза обратитесь за медицинской помощью. Жидкость, находящаяся внутри аккумуляторной батареи, может вызвать раздражение или ожоги.
- e. Не используйте поврежденные или измененные аккумуляторные батареи или инструменты. Поврежденные или измененные аккумуляторные батареи могут работать непредсказуемо, что может привести к возгоранию, взрыву или риску получения травм.
- f. Не подвергайте аккумуляторные батареи или инструмент воздействию огня или повышенной температуры. Открытый огонь или воздействие высокой температуры выше 130 °C может привести к взрыву.
- g. Следуйте всем инструкциям по зарядке и не заряжайте аккумуляторную батарею или инструмент вне температурного диапазона, указанного в инструкции. Неправильная зарядка или зарядка вне указанного температурного диапазона может привести к повреждению батареи и увеличить риск возгорания.

## 6. Сервисное обслуживание

- a. Обслуживание электроинструмента должно выполняться только квалифицированным техническим персоналом. Это позволит обеспечить безопасность обслуживаемого инструмента.
- b. Не выполняйте обслуживание поврежденных АККУМУЛЯТОРНЫХ БАТАРЕЙ. Обслуживание АККУМУЛЯТОРНЫХ БАТАРЕЙ должно выполняться только производителем или авторизованными поставщиками услуг.

## Дополнительные правила техники безопасности при работе с электроинструментом

- ◆ Пользуйтесь дополнительными рукоятками, входящими в комплект поставки инструмента. Потеря контроля может привести к травме.
- ◆ Удерживайте инструмент за изолированные поверхности захватывания при выполнении работ, во время которых имеется вероятность контакта инструмента со скрытой электропроводкой. Если вы держитесь за металлические детали инструмента, то в случае перерезания находящегося под напряжением провода, возможно поражение оператора электрическим током.
- ◆ При выполнении работ, когда есть вероятность того, что крепежный элемент может коснуться скрытой проводки или собственного сетевого

кабеля, держите электроинструмент за изолированные поверхности. Контакт крепежного элемента с находящимся под напряжением проводом делает не покрытые изоляцией металлические части электроинструмента также «живыми», что создает опасность поражения оператора электрическим током.

- ◆ Используйте зажимы или другие уместные средства фиксации заготовки на стабильной опоре. Держать заготовку на весу или в руках перед собой неудобно и это может привести к потере контроля над инструментом.
- ◆ Перед тем как сверлить отверстия в стенах, полах или потолках, проверьте места расположения проводки и трубопроводов.
- ◆ Избегайте касания к кончику сверла сразу после работы, он может сильно нагреваться.
- ◆ Далее в руководстве приводятся виды работ, для которых предназначен данный инструмент. Использование любых принадлежностей или приспособлений, а также выполнение данным инструментом любых видов работ, не рекомендованных данным руководством по эксплуатации, может привести к несчастному случаю и/или повреждению личного имущества.

## Безопасность окружающих

- ◆ Не разрешайте пользоваться этим инструментом детям, людям с ограниченными физическими и психическими возможностями или тем, у кого нет опыта работы с такого рода инструментами,
- ◆ Местные нормы могут налагать ограничения на возраст оператора.
- ◆ Не используйте инструмент, если рядом присутствуют посторонние, особенно дети, или домашние животные.

## Дополнительные инструкции по технике безопасности для аккумуляторных гвоздезабивателей

- ◆ Всегда надевайте защитные очки.
- ◆ Всегда пользуйтесь средствами защиты слуха.
- ◆ Используйте только крепежные детали соответствующего типа, указанного в руководстве.
- ◆ Не используйте станину для монтажа инструмента на опоре.
- ◆ Не разбирайте и не блокируйте никакие части гвоздезабивателя, например, контактный упор.
- ◆ Перед выполнением каждой операции убедитесь в том, что предохранительный и спусковой механизм работает нормально и что все гайки и болты затянуты.
- ◆ Не используйте инструмент в качестве молотка.
- ◆ Не используйте инструмент, стоя на лестнице.

- ◆ **Никогда не направляйте работающий гвоздезабиватель на себя и других людей.**
- ◆ **Во время работы держите инструмент так, чтобы возможная отдача из-за перебоя с подачей электроэнергии или ударом по твердым участкам в заготовке не могла привести к травмам головы или тела.**
- ◆ **Никогда не включайте гвоздезабиватель, направив его в пустое пространство.**
- ◆ **В рабочей зоне переносите инструмент к рабочему месту только за рукоятку и ни в коем случае не удерживайте курковый пусковой выключатель в нажатом положении.**
- ◆ **Принимайте условия работы во внимание. Крепежные детали могут проходить насквозь через тонкие поверхности или углы заготовки, представляя опасность для людей.**
- ◆ **Не забивайте крепежные детали близко к краю заготовки.**
- ◆ **Не забивайте крепежные детали поверх других.**
- ◆ **Всегда проверяйте наличие крепежных деталей в инструменте.** Неаккуратное обращение с инструментом может привести к неожиданному выстрелу крепежной деталью и травмам.
- ◆ **Не направляйте инструмент на себя или на кого-то, кто находится рядом.** Случайное нажатие на курковый пусковой выключатель может привести к травме из-за выстрела крепежной детали из инструмента.
- ◆ **Не включайте инструмент до тех пор, пока плотно не прижмете его к заготовке.** Если инструмент не прижимать к заготовке, то крепежная деталь может не попасть в нужное место.
- ◆ **Отключите инструмент от сети, если крепежная деталь застряла в инструменте.** Если инструмент будет включен в то время, когда вы вытаскиваете застрявший гвоздь, инструмент может неожиданно сработать.
- ◆ **Не используйте инструмент для крепления электрических кабелей.** Инструмент не предназначен для монтажа электрических кабелей, он может повредить изоляцию и тем самым привести к поражению электрическим током или возгоранию.

### Остаточные риски

При использовании инструмента могут возникнуть дополнительные остаточные риски, которые могут не быть включены в прилагаемые предупреждения по технике безопасности. Это может произойти при неправильной эксплуатации или продолжительном использовании инструмента и т. п.

Несмотря на соблюдение соответствующих инструкций по технике безопасности и использование

предохранительных устройств, некоторые остаточные риски невозможно полностью исключить. К ним относятся:

- ◆ Травмы в результате касания вращающихся/движущихся частей.
- ◆ Травмы, которые могут произойти при замене деталей, ножей или насадок.
- ◆ Травмы, связанные с продолжительным использованием инструмента. При использовании любого инструмента в течение продолжительного периода времени не забывайте делать перерывы.
- ◆ Ухудшение слуха.
- ◆ Ущерб здоровью в результате вдыхания пыли в процессе работы инструментом (например, при обработке древесины, в особенности, дуба, бука и МДФ.)

### Вибрация

Заявленные значения вибрации, указанные в технических спецификациях и заявлении о соответствии, были измерены в соответствии со стандартным методом тестирования EN60745 и пригодны для сравнения инструментов. Приведенные значения уровня вибрации могут также использоваться для предварительной оценки величины вибрационного воздействия.

**Внимание!** Значения вибрационного воздействия при работе с электроинструментом зависят от вида работ, выполняемых данным инструментом, и могут отличаться от заявленных значений. Уровень вибрации может быть выше заявленного.

При оценке уровня вибрации для определения меры безопасности, предусмотренного 2002/44/ЕС для защиты людей, регулярно пользующихся электроинструментом при работе, нужно принимать во внимание уровень вибрации, реальные условия использования и способ использования инструмента, а также учитывать все этапы цикла работы – когда инструмент выключается, когда он работает на холостом ходу, а также время переключения с одного режима на другой.

### Условные обозначения на инструменте

Помимо кода даты на инструменте имеются следующие знаки:



**Внимание!** Во избежание риска получения травм прочтите руководство по эксплуатации.



**Внимание!** Во избежание риска получения травм, пользователь должен надевать средства защиты органов слуха и зрения.







**Предупреждение:** Не смотрите в источник светового излучения.



Держите руки и другие части тела подальше от рабочей области.



Подсветка предназначена для подсветки непосредственно обрабатываемой поверхности, а также в качестве индикатора низкого заряда батареи и индикатора зажатого гвоздя.

## Дополнительные правила техники безопасности при работе с аккумуляторными батареями и зарядными устройствами

### Аккумуляторные батареи

- ◆ Никогда не пытайтесь разбирать аккумуляторные батареи.
- ◆ Не подвергайте аккумуляторные батареи воздействию воды.
- ◆ Не оставляйте батареи в местах, где температура превышает 40 °C.
- ◆ Заряжайте батареи только при температуре от 10 °C до 40 °C.
- ◆ При утилизации батарей, следуйте инструкциям, указанным в разделе «Защита окружающей среды».
- ◆ Избегайте повреждений/деформации аккумуляторной батареи в результате разрыва или удара. Это представляет риск получения травм и возникновения пожара.
- ◆ Не заряжайте поврежденные аккумуляторные батареи.
- ◆ В экстремальных случаях может произойти разгерметизация батареи. При обнаружении протечки аккумуляторной батареи, тщательно удалите жидкость с помощью ткани. Избегайте контакта с кожей.
- ◆ При контакте с кожей или глазами следуйте приведенным ниже инструкциям.

**Внимание!** Электролит аккумуляторной батареи может привести к травмам или материальному ущербу. При попадании на кожу немедленно промойте пораженный участок водой. При появлении покраснения, боли или раздражения обратитесь за медицинской помощью. При попадании в глаза промойте большим количеством проточной воды и обратитесь за медицинской помощью.

### Зарядные устройства

- ◆ Используйте зарядное устройство STANLEY FATMAX только для зарядки аккумуляторной батареи того инструмента, с которым оно поставлялось.

Использование аккумуляторных батарей другого типа может привести к взрыву, травмам и повреждениям.

- ◆ Не пытайтесь заряжать одноразовые батареи.
- ◆ Немедленно заменяйте поврежденный кабель питания.
- ◆ Не подвергайте зарядное устройство воздействию воды.
- ◆ Не вскрывайте зарядное устройство.
- ◆ Не разбирайте зарядное устройство

### Обозначения на зарядном устройстве



Зарядное устройство можно использовать только в помещении.



Перед началом работы прочтите руководство по эксплуатации.



Не пытайтесь заряжать поврежденные аккумуляторные батареи.

### Электробезопасность

Ваше зарядное устройство имеет двойную изоляцию, поэтому не требует заземления. Необходимо обязательно убедиться в том, что напряжение источника питания соответствует указанному на паспортной табличке устройства. Никогда не пытайтесь заменить зарядное устройство обычной сетевой вилкой.



- ◆ При повреждении кабеля питания, во избежание рисков, замените его у производителя или в официальном сервисном центре STANLEY FATMAX.

**Внимание!** Никогда не пытайтесь заменить зарядное устройство обычной сетевой вилкой.

### Замена штепсельной вилки (только для Великобритании и Ирландии)

Если необходимо установить новую штепсельную вилку:

- ◆ Осторожно снимите старую вилку.
- ◆ Подсоедините коричневый провод к терминалу фазы в новой вилке.
- ◆ Подсоедините синий провод к нулевому терминалу.

**Внимание!** Заземление не требуется. Соблюдайте инструкции по установке высококачественных вилок. Рекомендованный предохранитель: 5 А.

### Составные части

Данный инструмент может содержать все или некоторые из перечисленных ниже составных частей.

1. Курковый пусковой выключатель
2. Блокировка пускового выключателя
3. Регулятор глубины забивания
4. Индикатор глубины забивания

5. Подсветка/индикатор низкого заряда аккумуляторной батареи/зажатия/клипа
6. Рычаг устранения заклинивания
7. Защелка для устранения зажатия
8. Контактный упор
9. Магазин
10. Защелка толкателя
11. Кнопка разблокировки защелки толкателя
12. Аккумуляторная батарея

## Эксплуатация

**Внимание!** Инструмент должен работать в обычном режиме. Избегайте перегрузок.

### Зарядка аккумуляторной батареи (Рис. А)

Аккумуляторную батарею нужно заряжать перед первым использованием и каждый раз, когда заряда недостаточно для выполняемых работ. Во время зарядки аккумуляторная батарея нагревается, это нормально и не означает неисправность.

**Внимание!** Не заряжайте батарею при температуре окружающей среды ниже 10 °С или выше 40 °С.

Рекомендуемая температура при зарядке: приблизительно 24 °С.

**Примечание:** Зарядное устройство не будет заряжать аккумуляторную батарею, если температура элемента ниже 10 °С или выше 40 °С.

Аккумуляторную батарею нужно оставить в зарядном устройстве; зарядка начнется автоматически, когда температура элемента аккумуляторной батареи выровняется до нормальных значений.

**Примечание:** Чтобы обеспечить максимальную производительность и срок службы ионно-литиевых батарей, перед первым использованием полностью зарядите аккумуляторную батарею.

- ◆ Перед установкой аккумуляторной батареи (12) подключите зарядное устройство (13) к соответствующей розетке.
- ◆ Зеленый индикатор зарядки (13а) начнет мигать, означая, что процесс зарядки начался.
- ◆ По окончании зарядки, зеленый индикатор зарядки (13а) будет гореть непрерывно, не мигая. Теперь аккумуляторная батарея (12) полностью заряжена, и ее можно использовать или оставить в зарядном устройстве (13).
- ◆ Разрядившиеся батареи заряжайте не позже, чем через 1 неделю. Срок службы аккумуляторной батареи значительно уменьшается, если ее хранить в разряженном состоянии.

Режимы горения светодиодного индикатора зарядного устройства

	<b>Зарядка:</b> Мигающий зеленый светодиод	
	<b>Полностью заряжен:</b> Непрерывно горящий зеленый светодиод	
	<b>Температурная задержка:</b> Мигающий зеленый светодиод Непрерывно горящий красный светодиод	

**Примечание:** Зарядное(-ые) устройство(-а) не сможет(-гут) зарядить неисправную аккумуляторную батарею.

При неисправной аккумуляторной батарее индикатор на зарядном устройстве не загорится.

**Примечание:** Также это может указывать на проблему с зарядным устройством. Если зарядное устройство указывает на наличие проблемы, проверьте аккумуляторную батарею и зарядное устройство в авторизованном сервисном центре.

Хранение аккумуляторной батареи в зарядном устройстве

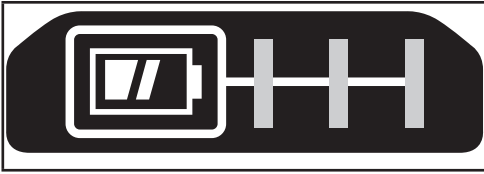
Аккумуляторную батарею можно оставлять в зарядном устройстве на неопределенное время, когда горит светодиод. Зарядное устройство будет поддерживать полную зарядку аккумуляторной батареи.

### Температурная задержка

При слишком низкой или слишком высокой температуре батареи, зарядное устройство автоматически переходит в режим температурной задержки: зеленый светодиод (13а) будет мигать, в то время как красный светодиод (13б) будет гореть постоянно; при этом зарядка не начинается до тех пор, пока батарея не достигнет нужной температуры. Как только нужная температура будет достигнута, устройство автоматически перейдет в режим зарядки. Данная функция обеспечивает максимальный срок эксплуатации аккумуляторной батареи.

### Индикатор заряда (Рис. В)

Аккумуляторная батарея имеет индикатор заряда, который позволяет быстро установить состояние заряда батареи, как показано на Рис. В. Нажатие кнопки заряда (12а) позволяет легко посмотреть оставшийся заряд батареи, как показано на Рис. В.



### Установка и извлечение аккумуляторной батареи из инструмента

**Внимание!** Проверьте, нажата ли кнопка блокировки, чтобы исключить вероятность срабатывания пускового выключателя при извлечении или установке батареи.

### Установка батареи (Рис. С)

- ♦ Вставьте аккумуляторную батарею в инструмент до щелчка, как показано на Рис. С. Убедитесь, что батарея полностью вошла и зафиксирована на месте.

### Извлечение батареи (Рис. D)

- ♦ Нажмите на опирающую кнопку батареи (12b), как показано на Рис. D, и извлеките аккумуляторную батарею из инструмента.

### Крепление для подвешивания (Рис. E)

**Внимание!** Перед тем, как выполнить настройку инструмента или провести его обслуживание, удалите гвозди из магазина. Если этого не сделать, это может привести к серьезной травме.

**Внимание!** Чтобы снизить риск получения серьезной травмы, устанавливайте переключатель изменения направления вращения в положение выключения или выключайте инструмент и отсоединяйте аккумуляторную батарею, прежде чем выполнять какую-либо регулировку или удалять/устанавливать какие-либо дополнительные приспособления или принадлежности. Случайный запуск может привести к травме.

**Внимание!** Во избежание получения серьезной травмы убедитесь в том, что винт (15) крепления для подвешивания хорошо затянут.

**Предупреждение:** Когда инструмент не используется, кладите его на бок на устойчивую поверхность в том месте, где о него нельзя споткнуться и упасть. Некоторые инструменты с аккумуляторными батареями больших размеров могут стоять вертикально на аккумуляторной батарее, однако их легко опрокинуть.

Примечание: При установке или смене местоположения крепления для подвешивания (14), используйте только входящий в комплектацию винт (15). Убедитесь в надежности затяжки винта.

Если крепление не нужно, его можно снять с инструмента. Чтобы передвинуть крепление для подвешивания (14), выкрутите винт (15), удерживающий его, и установите его

на противоположной стороне.

Примечание: Доступны различные типы креплений для настенных направляющих и конфигураций хранения. Дополнительную информацию см. на нашем веб-сайте по адресу [www.stanley.eu/3](http://www.stanley.eu/3).

### Эксплуатация

**Внимание!** См. раздел «Правила техники безопасности при эксплуатации гвоздезабивателя» в начале данного руководства. Во время эксплуатации данного инструмента обязательно надевайте средства защиты органов слуха и зрения. Не направляйте гвоздезабиватель на себя и на других лиц. Для безопасной работы выполняйте следующие процедуры и проверки перед каждым использованием гвоздезабивателя.

**Внимание!** Чтобы уменьшить риск травм, извлекайте аккумуляторную батарею из инструмента и задействуйте блокировку пускового выключателя перед выполнением обслуживания, чистки, удаления зажатых гвоздей, а также перед тем как покинуть рабочую зону, переместить инструмент в другое место или передать инструмент другому лицу.

**Внимание!** Во избежание непреднамеренного срабатывания инструмента держите пальцы НА РАССТОЯНИИ от пускового механизма в то время, когда не забиваете гвозди. Никогда не переносите инструмент, держа палец на курковом пусковом выключателе.

- ♦ Используйте средства защиты зрения, слуха и органов дыхания.
- ♦ Снимите аккумуляторную батарею с инструмента и задействуйте блокировку пускового выключателя.
- ♦ Заблокируйте толкатель в заднем положении и извлеките все обоймы с гвоздями из магазина.
- ♦ Проверьте правильность работы контактного упора. Не используйте инструмент, если какая-либо часть инструмента работает неправильно.
- ♦ Запрещается использовать инструмент, если какая-либо его часть повреждена.

**Внимание!** При работе с инструментом не превышайте скорость забивания крепежных деталей в 30 раз/мин.

### Использование гвоздезабивателя

**Внимание!** Прижмите контактный упор к поверхности и полностью нажмите пусковой выключатель при забивании каждого гвоздя, при этом отпуская контактный упор и пусковой выключатель после забивания каждого гвоздя.

**Внимание!** Если инструмент нуждается в регулировке или не используется, то из него всегда нужно извлекать батарею и задействовать блокировку пускового выключателя.

- ♦ Полностью прижмите контактный упор (8) к рабочей поверхности.

- ◆ Полностью нажмите на курковый пусковой выключатель (1), что запустит электродвигатель. (гвоздь войдет в рабочую поверхность).
- ◆ Отпустите курковый пусковой выключатель.
- ◆ Поднимите контактный упор с рабочей поверхности.
- ◆ Повторяйте приведенные выше 4 шага для следующего применения

## Подготовка инструмента

**Внимание!** ЗАПРЕЩАЕТСЯ распылять или иным образом наносить смазочные материалы или чистящие растворители внутри инструмента. Это может привести к значительному сокращению срока службы и снижению производительности инструмента.

**Внимание!** Если инструмент нуждается в регулировке или не используется, то из него всегда нужно извлекать батарею и задействовать блокировку пускового выключателя.

- ◆ Ознакомьтесь с Правилами техники безопасности в данном руководстве.
- ◆ Используйте средства защиты органов слуха и зрения.
- ◆ Извлеките батарею из инструмента и полностью зарядите ее.
- ◆ Убедитесь в том, что в магазине не остались крепежные детали.
- ◆ Проверьте правильность работы контактного упора. Не используйте инструмент, если какая-либо часть инструмента работает неправильно.
- ◆ Не направляйте инструмент на себя и на других.
- ◆ Установите полностью заряженную аккумуляторную батарею.

## Загрузка инструмента (Рис. F)

**Внимание!** Не направляйте инструмент на себя и на других. Это может привести к телесным повреждениям.

**Внимание!** Никогда не загружайте инструмент при нажатом контактном упоре или курковом пусковом выключателе.

**Внимание!** Перед загрузкой гвоздей в инструмент или выгрузкой из него, всегда извлекайте аккумуляторную батарею.

**Внимание!** Если инструмент нуждается в регулировке или не используется, то из него всегда нужно извлекать батарею и задействовать блокировку пускового выключателя.

**Внимание!** Следите за тем, чтобы пальцы не оказались на пути движения толкателя – это может повлечь за собой травмы.

- ◆ Вставьте крепежные детали в нижнюю часть магазина (9).
- ◆ Потяните защелку толкателя (10) вниз до тех пор, пока

подаватель гвоздей (16) не встанет за гвоздями, как показано на Рис. F.

- ◆ Отпустите защелку толкателя (10).

## Разгрузка инструмента

**Внимание!** Если инструмент нуждается в регулировке или не используется, то из него всегда нужно извлекать батарею и задействовать блокировку пускового выключателя.

- ◆ Нажмите на кнопку разблокировки защелки толкателя (11).
- ◆ Сдвиньте гвозди к нижней части магазина вручную (9).
- ◆ Откройте крышку освобождения зажима в передней части инструмента, чтобы убедиться в том, что в магазине не осталось гвоздей.

## Регулировка глубины забивания (Рис. G)

Глубину забивания крепежных деталей можно регулировать с помощью регулятора глубины забивания (3), расположенного с боковой стороны инструмента.

**Внимание!** Во избежание серьезной травмы в результате случайного включения в процессе регулировки глубины, необходимо обязательно делать следующее:

- ◆ Извлеките аккумуляторную батарею.
- ◆ Задействуйте блокировку куркового пускового выключателя.
- ◆ Избегайте контакта с курковым пусковым выключателем в процессе регулировки.

Настройки глубины приведены на шкале на индикаторе глубины забивания (4). Левая сторона отвечает за большую глубину, а правая – за меньшую.

- ◆ Для более глубокого забивания гвоздей, поворачивайте регулятор глубины забивания (3) вниз. Это переведет индикатор глубины забивания (4) на шкале влево.
- ◆ Для менее глубокого забивания гвоздей, поворачивайте регулятор глубины забивания (3) вверх. Это переведет индикатор глубины забивания (4) на шкале вправо.

## Подсветка (Рис. H)

С каждой стороны гвоздезабивателя установлена рабочая подсветка (5).

Рабочая подсветка включается при нажатии на контактный упор.

**Примечание:** Рабочая подсветка предназначена для освещения рабочей поверхности и не предназначена для использования в качестве фонаря.



**Индикатор низкого заряда батареи**

При низком уровне заряда батареи, рабочая подсветка мигнет и затем полностью выключится.

**Индикатор зажатия гвоздя**

При зажатии гвоздя в носовой части инструмента, рабочая подсветка начнет постоянно мигать (см. раздел «Извлечение зажатого гвоздя»).

**Устранение клина (Рис. I)**

**Внимание!** При заклинивании инструмент выключится и потребует выполнения сброса. Чтобы сделать это, следуйте инструкциям по устранению клина. Затем извлеките аккумуляторную батарею и снова вставьте ее. Инструмент вернется в рабочее состояние. Если гвоздезабиватель используется для выполнения работ, требующих приложения большой энергии, то инструмент может заклинить. Привод не завершает полностью цикл работы и загорается индикатор зажима гвоздя/заклинивания. Поверните рычаг устранения заклинивания (6) на инструменте, после чего механизм будет снова готов к работе.

**Примечание!** Инструмент отключится и не вернется в исходное состояние до тех пор, пока аккумуляторная батарея не будет снята и снова установлена. Если инструмент не начинает работу, проверьте, соответствует ли выбор материала и длина скобы характеру выполняемой работы. Если лезвие привода автоматически не возвращается в свое исходное положение после задействования рычага устранения заклинивания, следуйте действиям в разделе «Извлечение застрявшего гвоздя».

**Извлечение зажатого гвоздя (Рис. I, J)**

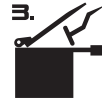
**Внимание!** Чтобы уменьшить риск травм, извлеките аккумуляторную батарею из инструмента и задействуйте блокировку пускового выключателя перед выполнением обслуживания или извлечением зажатого гвоздя.

Если в носовой части инструмента зажмет гвоздь, то направьте инструмент в противоположную сторону от себя и выполните следующие действия для извлечения гвоздя:

- ◆ Извлеките аккумуляторную батарею из инструмента и задействуйте блокировку пускового выключателя.



- ◆ Поверните рычаг устранения заклинивания (6) на инструменте, чтобы высвободить лезвие привода и устранить зажатие. Если зажатие устранить не удалось, выполните приведенные ниже 9 шагов:
  - ◆ Вытяните толкатель вниз, пока он не зафиксируется на месте, после чего переверните инструмент, чтобы гвозди свободно выпали со дна магазина.



- ◆ Поднимите защелку для устранения зажатия (7) и потяните вверх для открытия передней дверцы (17).
- ◆ При необходимости, извлеките погнутый гвоздь плоскогубцами.
- ◆ Если лезвие привода находится в крайнем нижнем положении, вставьте отвертку или похожий по форме предмет в носовую часть и вытолкните лезвие привода обратно в исходное положение.
- ◆ Закройте переднюю дверцу и зафиксируйте проволоку (19) под двумя рычажками (18) на контактном упоре. Нажимайте на защелку для устранения зажатия (7), пока она не зафиксируется на своем месте.
- ◆ Вставьте гвозди в магазин (см. раздел «Загрузка инструмента»).
- ◆ Потяните толкатель (10) вниз до тех пор, пока подаватель гвоздей (16) не встанет за гвоздями, как показано на Рис. G.
- ◆ Вставьте аккумуляторную батарею.
- ◆ Разблокируйте курковый пусковой выключатель (2), чтобы снова иметь возможность задействовать его.

**Внимание!** При зажатии инструмент выключится и потребует выполнения сброса. Чтобы сделать это, следуйте инструкциям по устранению зажатия. Затем извлеките аккумуляторную батарею и снова вставьте ее. Инструмент вернется в рабочее состояние.

**Примечание!** В случае частого зажатия гвоздей в контактном упоре, обратитесь в авторизованный сервисный центр STANLEY FATMAX для выполнения технического обслуживания.

## Эксплуатация в холодных условиях

При эксплуатации инструмента при температуре ниже нуля:

- ◆ Перед эксплуатацией держите инструмент как можно более теплым.
- ◆ Проверьте работу инструмента 5 или 6 раз на деревянном обрезке материала.

## Эксплуатация в условиях высоких температур

Инструмент должен работать нормально. Не оставляйте инструмент под воздействием прямых солнечных лучей, т. к. высокая температура может повредить бампер и другие резиновые детали инструмента, что потребует дополнительного ремонта.

## Запасные части

**Внимание!** Чтобы уменьшить риск травм, извлекайте аккумуляторную батарею из инструмента и задействуйте блокировку пускового выключателя перед выполнением обслуживания или извлечением застрявшего гвоздя. Инструмент оснащен запасной защитной подкладкой, установленной сбоку от магазина с гвоздями.

- ◆ Чтобы заменить защитную подкладку, просто снимите старую защитную подкладку и установите новую защитную подкладку на контактный упор.

Используйте только оригинальные запасные части.

Посмотреть перечень запасных частей и заказать их можно на нашем веб-сайте [www.stanley.eu/3co.uk](http://www.stanley.eu/3co.uk). Вы также можете заказать запасные части в ближайшем заводском сервисном центре STANLEY FATMAX или по авторизованной гарантии STANLEY FATMAX.

## Возможные неисправности и способы их устранения

Если инструмент не функционирует должным образом, следуйте приведенным ниже инструкциям. Если неисправность не удается устранить, обратитесь к местному специалисту по ремонту STANLEY FATMAX.

**Внимание!** Прежде чем продолжить, отключите инструмент от источника питания.

Неисправность	Возможная причина	Возможное решение
Инструмент не включается.	Аккумуляторная батарея установлена неправильно.	Проверьте правильность установки аккумуляторной батареи.
	Аккумуляторная батарея не заряжена.	Проверьте требования по зарядке аккумуляторной батареи.
	Задействована блокировка пускового выключателя.	Снимите блокировку пускового выключателя.

Неисправность	Возможная причина	Возможное решение
Инструмент не срабатывает. (Подсветка включена, электродвигатель не работает)	Электродвигатель перестает работать через 2 секунды.	Нормальная работа; отпустите курковый пусковой выключатель или контактный упор и прижмите его еще раз.
Инструмент не работает (подсветка мигает)	Низкий уровень заряда или повреждение аккумуляторной батареи.	Зарядите или замените батарею.
Инструмент не работает (подсветка постоянно мигает)	Зажата крепежная деталь/заклинил инструмент.	Извлеките батарею, поверните рычаг устранения заклинивания. Извлеките зажатую крепежную деталь и снова вставьте аккумуляторную батарею.
	Зажат механизм	Обратитесь в авторизованный сервисный центр.
Инструмент не срабатывает (подсветка работает, электродвигатель работает, лезвие привода застревает в нижнем положении)		Обратитесь в авторизованный сервисный центр.
Инструмент работает, но гвозди забивает не на полную глубину.	Низкий уровень заряда или повреждение аккумуляторной батареи.	Зарядите или замените батарею.
	Установлена слишком малая глубина забивания гвоздей.	Переведите регулятор глубины забивания в положение для более глубокого забивания.
	Инструмент неплотно прилегает к заготовке.	Прочтите руководство по эксплуатации.  Выберите подходящий материал или длину крепежной детали.

## Техническое обслуживание

Ваш электрический/аккумуляторный инструмент/устройство STANLEY FATMAX рассчитан на работу в течение продолжительного времени при минимальном техническом обслуживании. Для длительной безотказной работы требуется надлежащий уход за инструментом/устройством и его регулярная чистка.

**Внимание!** Перед выполнением чистки выключите инструмент и отсоедините от источника питания.

- ◆ Грязь и жир можно удалить с наружной поверхности инструмента с помощью салфетки.

**Внимание!** ЗАПРЕЩАЕТСЯ использовать растворители или другие агрессивные химические вещества для очистки неметаллических компонентов инструмента. Эти химикаты могут повредить структуру материала, используемого для производства таких деталей. Используйте ткань, смоченную в мягком мыльном

растворе. Избегайте попадания жидкостей внутрь инструмента; запрещается погружать какие-либо компоненты инструмента в жидкость.

**Внимание! ЗАПРЕЩАЕТСЯ** распылять или иным образом наносить смазочные материалы или чистящие растворители внутрь инструмента. Это может привести к значительному сокращению срока службы и снижению производительности инструмента.

### Примечания по обслуживанию

Данный инструмент не предназначен для обслуживания пользователем. Внутри гвоздезабивателя нет деталей для обслуживания пользователем. Обслуживание в авторизованном сервисном центре необходимо для предотвращения повреждения чувствительных к статическим зарядам внутренних компонентов.

### Защита окружающей среды



Отдельная утилизация. Изделия и аккумуляторные батареи с данным символом на маркировке запрещается утилизировать с обычными бытовыми отходами.

Изделия и аккумуляторные батареи содержат материалы, которые могут быть извлечены или переработаны, снижая потребность в исходном сырье.

Пожалуйста, утилизируйте электрические изделия и аккумуляторные батареи в соответствии с местными нормами. Дополнительная информация доступна по адресу [www.2helpU.com](http://www.2helpU.com)

### Технические характеристики

		SFMCN616 Тип: H1
Напряжение	$V_{\text{пост. тока}}$	18
Тип батареи		Ионно-литиевая
Режим срабатывания		Последовательный
Угол расположения магазина		Прямой
Скорость без нагрузки	/мин.	9100
Энергия удара	прибл.	60 Дж
Вес (только инструмент)	кг	2,6

Крепежные гвозди		
Длина	мм	25 - 64
Диаметр хвостовика	мм	1,6
Угол		Прямой

Зарядное устройство		SFMCB11	SFMCB12/SC200	SFMCB14
Входное напряжение	$V_{\text{перем. тока}}$	230	230	230
Выходное напряжение	$V_{\text{пост. тока}}$	18	18	18
Ток	A	1,25	2	4

Аккумуляторная батарея		SFMCB201/SB201	SFMCB202/SB202	SFMCB204/SB204	SFMCB206
Напряжение	$V_{\text{пост. тока}}$	18	18	18	18
Емкость	Ач	1,5	2,0	4,0	6,0
Тип		Ионно-литиевая	Ионно-литиевая	Ионно-литиевая	Ионно-литиевая

### Уровень звукового давления согласно EN60745:

Звуковое давление ( $L_{pA}$ ) 84 дБ(А), погрешность (К) 3 дБ(А)

Акустическая мощность ( $L_{WA}$ ) 95 дБ(А), погрешность (К) 3 дБ(А)

### Сумма величин вибрации (сумма векторов по трем осям), измеренных в соответствии со стандартом EN60745:

Забивание гвоздей ( $a_{hv}$ ) < 2,8  $m/c^2$ , погрешность (К) 1,8  $m/c^2$

## Заявление о соответствии нормам ЕС

ДИРЕКТИВА ПО МЕХАНИЧЕСКОМУ ОБОРУДОВАНИЮ



SFMCN616 – Аккумуляторный гвоздезабиватель STANLEY Europe заявляет, что описанная продукция соответствует EN60745-1:2009+A11:2010, EN60745-2-16:2010.

Эти изделия также соответствуют Директивам 2006/42/ЕС, 2014/30/EU и 2011/65/EU. За дополнительной информацией обращайтесь в STANLEY Europe по адресу, указанному ниже или приведенному на задней стороне обложки руководства.

За дополнительной информацией обращайтесь в STANLEY FATMAX по адресу, указанному ниже или приведенному на задней стороне обложки руководства.

Нижеподписавшийся несет ответственность за составление технической документации и составил данную декларацию по поручению компании STANLEY FATMAX.



А. П. Смит (A. P. Smith)

Технический директор инженерного отдела  
STANLEY FATMAX Europe, Egide Walschaertsstraat14-18,  
2800 Mechelen, Belgium  
06.08.2019

Дополнительная информация:

Дату изготовления (код даты) указан на корпусе инструмента. Код даты, который так же включает год изготовления, отштампован на поверхности корпуса изделия. Пример: 2021 46 XX, где 2021 – год изготовления, 46 неделя изготовления, XX – код завода изготовителя.

ТОВАР СЕРТИФИЦИРОВАН. Орган по сертификации "РОСТЕСТ Москва", Адрес: 119049, г. Москва, улица Житная, д. 14, стр. 1; 117418, Москва, Нахимовский просп., 31 (факт.).

Тел.: (499) 1292311, (495) 6682893, E mail: office@rostest.ru. Изготовитель: Изготовитель: Блэк энд Деккер Холдингс ГмбХ, Германия, 65510, Идштайн, ул. Блэк энд Деккер, 40, тел.: +496126212790.

Уполномоченное изготовителем юр.лицо: ООО "Стэнли Блэк энд Деккер", 117485, город Москва, улица Обручева, дом 30/1, строение 2, Телефон: + 7 (495) 258 3981, факс: + 7 (495) 258 3984, E mail: inbox@dewalt.com. Сведения о импортере указаны в сопроводительной документации и/или на упаковке.

## Гарантия

STANLEY FATMAX с уверенностью в качестве своей продукции предлагает клиентам гарантию на 12 месяцев с момента покупки. Данная гарантия является дополнительной и ни в коей мере не направлена на ущемление ваших юридических прав. Гарантия действует на территории стран-участниц Европейского союза и в Европейской зоне свободной торговли.

Чтобы подать заявку по гарантии, заявка должна соответствовать положениям и условиям STANLEY FATMAX, кроме того, вам потребуется предъявить продавцу или авторизованному специалисту по ремонту подтверждение покупки. Положения и условия гарантии STANLEY FATMAX на 1 год и местонахождение ближайшего авторизованного специалиста по ремонту можно узнать через Интернет по адресу [www.2helpU.com](http://www.2helpU.com), или связавшись с местным представительством STANLEY FATMAX по адресу, указанному в данном руководстве. Посетите наш веб-сайт [www.stanley.eu/3](http://www.stanley.eu/3), чтобы зарегистрировать свое новое изделие STANLEY FATMAX и получать информацию о новинках и специальных предложениях.





## Приложение к руководству по эксплуатации электрооборудования для определения месяца производства по номеру текущей календарной недели года

Электрооборудование торговых марок "Dewalt", "Stanley", "Stanley FatMAX", "BLACK+DECKER".

Директивы 2014/30/EU ЕВРОПЕЙСКОГО ПАРЛАМЕНТА И СОВЕТА от 26 февраля 2014 г. "О гармонизации законодательств Государств-членов ЕС в области электромагнитной совместимости", 2006/42/ЕС ЕВРОПЕЙСКОГО ПАРЛАМЕНТА И СОВЕТА от 17 мая 2006 г. "О машинах и оборудовании", 2014/35/EU ЕВРОПЕЙСКОГО ПАРЛАМЕНТА И СОВЕТА от 26 февраля 2014 г. "О гармонизации законодательств государств-членов в области размещения на рынке электрооборудования, предназначенного для использования в определенных пределах напряжения". Серийный выпуск.

### ТОВАР СЕРТИФИЦИРОВАН

Орган по сертификации "РОСТЕСТ- Москва", Адрес: 119049, г. Москва, улица Житная, д. 14, стр. 1; 117418, Москва, Нахимовский просп., 31 (фактический), Телефон: (499) 1292311, (495) 6682893, Факс: (495) 6682893, E-mail: office@rostest.ru  
Изготовитель: Изготовитель: Блэк энд Деккер Холдингс ГмбХ, Германия, 65510, Идштайн, ул. Блэк энд Деккер, 40, тел. +496126212790.

### Уполномоченное изготовителем юр.лицо:

ООО "Стэни Блэк энд Деккер", 117485, город Москва, улица Обручева, дом 30/1, строение 2  
Телефон: + 7 (495) 258-3981, факс: + 7 (495) 258-3984, E-mail: inbox@dewalt.com  
Сведения и импортёре указаны в сопроводительной документации и/или на упаковке

### Хранение.

Необходимо хранить в сухом месте, вдали от источников повышенных температур и воздействия солнечных лучей. При хранении необходимо избегать резкого перепада температур. Хранение без упаковки не допускается

### Срок службы.

Срок службы изделия составляет 5 лет. Не рекомендуется к эксплуатации по истечении 5 лет хранения с даты изготовления без предварительной проверки.

Дата изготовления (код даты) указана на корпусе инструмента. Код даты, который также включает год изготовления, отштампован на поверхности корпуса изделия.

### Пример:

2014 46 XX, где 2014 –год изготовления, 46-неделя изготовления. Определить месяц изготовления по указанной неделе изготовления можно согласно приведенной ниже таблице.

### Транспортировка.

Категорически не допускается падение и любые механические воздействия на упаковку при транспортировке. При разгрузке/погрузке не допускается использование любого вида техники, работающей по принципу зажима упаковки.

### Перечень критических отказов, возможные ошибочные действия персонала.

Не допускается эксплуатация изделия:

- При появлении дыма из корпуса изделия
- При поврежденном и/или оголенном сетевом кабеле
- при повреждении корпуса изделия, защитного кожуха, рукоятки
- при попадании жидкости в корпус
- при возникновении сильной вибрации
- при возникновении сильного искрения внутри корпуса

### Критерии предельных состояний.

- При поврежденном и/или оголенном сетевом кабеле
- при повреждении корпуса изделия

Месяц	Январь	Февраль	Март	Апрель	Май	Июнь	Июль	Август	Сентябрь	Октябрь	Ноябрь	Декабрь	Год производства
Неделя	1	5	9	14	18	23	27	31	36	40	44	49	2018
	2	6	10	15	19	24	28	32	37	41	45	50	
	3	7	11	16	20	25	29	33	38	42	46	51	
	4	8	12	17	21	26	30	34	39	43	47	52	
Неделя			13		22			35			48		2019
	1	6	10	14	18	23	27	31	36	40	45	49	
	2	7	11	15	19	24	28	32	37	41	46	50	
	3	8	12	16	20	25	29	33	38	42	47	51	
	4	9	13	17	21	26	30	34	39	43	48	52	
Неделя					22			35		44			2020
	1	6	10	14	19	23	27	32	36	40	45	49	
	2	7	11	15	20	24	28	33	37	41	46	50	
	3	8	12	16	21	25	29	34	38	42	47	51	
	4	9	13	17	22	26	30	35	39	43	48	52	
Неделя				18		31			44				2021
	2	6	10	14	19	23	27	32	36	41	45	49	
	3	7	11	15	20	24	28	33	37	42	46	50	
	4	8	12	16	21	25	29	34	38	43	47	51	
	5	9	13	17	22	26	30	35	39	44	48	52	
Неделя				18		31		40				1	2022
	2	6	10	15	19	23	28	32	36	41	45	49	
	3	7	11	16	20	24	29	33	37	42	46	50	
	4	8	12	17	21	25	30	34	38	43	47	51	
	5	9	13	18	22	26	31	35	39	44	48	52	
			14		27			40				1	



**3 ГОДА ГАРАНТИИ**  
 ТРЕБУЕТСЯ ОНЛАЙН РЕГИСТРАЦИЯ  
 СТАНДАРТНАЯ ГАРАНТИЯ 1 ГОД  
ПОСМОТРЕТЬ УСЛОВИЯ ГАРАНТИИ И ПОЛУЧИТЬ РЕГИСТРАЦИОННУЮ КАРТУ  
 sfm.stanley.ru

## ГАРАНТИЙНЫЕ УСЛОВИЯ

### Уважаемый покупатель!

1. Поздравляем Вас с покупкой высококачественного изделия STANLEY FATMAX и выражаем признательность за Ваш выбор.
2. При покупке изделия требуется проверки его комплектности и исправности в Вашей присутствии. В комплекте с инструментом должна быть инструкция по эксплуатации и гарантийные условия производителя на русском языке. Сохраняйте на весь срок гарантии Ваш документ, удостоверяющий факт покупки изделия. Убедитесь, что в чеке указаны: фискальный номер чека, модель/наименование изделия, дата продажи и название торговой организации. z
3. Во избежание недоразумений убедительно просим Вас перед началом работы с изделием внимательно ознакомиться с инструкцией по его эксплуатации. Правовой основой настоящих гарантийных условий является действующее Законодательство. Гарантийный срок на данное изделие составляет 12 месяцев\* и исчисляется со дня продажи. В случае устранения недостатков изделия гарантийный срок продлевается на период его нахождения в ремонте. Срок службы изделия составляет 5 лет со дня продажи.
4. В случае возникновения каких-либо проблем в процессе эксплуатации изделия рекомендуем Вам обращаться только в уполномоченные сервисные центры STANLEY FATMAX, адреса и телефоны которых Вы сможете найти на сайте [www.2helpU.com](http://www.2helpU.com) или узнать в магазине. Наши сервисные станции это не только квалифицированный ремонт, но и широкий ассортимент запчастей и принадлежностей.
5. Производитель рекомендует проводить периодическую проверку и техническое обслуживание изделия в уполномоченных сервисных центрах.
6. Наши гарантийные обязательства распространяются только на неисправности, выявленные в течение гарантийного срока и вызванные дефектами материалов или сборки изделия.
7. **Гарантийные условия не распространяются на неисправности изделия, возникшие в результате:**
  - 7.1. Несоблюдения пользователем предписаний инструкции по эксплуатации изделия, применения изделия не по назначению, неправильного хранения, использования принадлежностей, расходных материалов и запчастей, не предусмотренных производителем.
  - 7.2. Механического повреждения (сколы, трещины и разрушения) внутренних и внешних деталей изделия, основных и вспомогательных рукояток, сетевого электрического кабеля, вызванного внешним ударным или любым иным воздействием.
  - 7.3. Попадания в вентиляционные отверстия и проникновение внутрь



## ОБЯЗАТЕЛЬНО СОХРАНИТЕ КАССОВЫЙ ЧЕК

- изделия посторонних предметов, материалов или веществ, не являющихся отходами, сопровождающих применение изделия по назначению, таким как: стружка, опилки, песок, и пр.
- 7.4. Воздействий на изделие неблагоприятных атмосферных и иных внешних факторов, таких как дождь, снег, повышенная влажность, нагрев, агрессивные среды, несоответствие параметров питающей электросети, указанных на инструменте.
  - 7.5. Стихийного бедствия. Повреждение или утрата изделия, связанное с непредвиденными бедствиями, стихийными явлениями, в том числе вследствие действия непреодолимой силы (пожар, молния, потоп и другие природные явления), а также вследствие перепадов напряжения в электросети и другими причинами, которые находятся вне контроля производителя.
- 8. Гарантийные условия не распространяются:**
- 8.1. На инструменты, подвергавшиеся вскрытию, ремонту или модификации вне уполномоченного сервисного центра.
  - 8.2. На детали и узлы, имеющие следы естественного износа, такие как: приводные ремни и колеса, угловые шетки, смазка, подшипники, зубчатое зацепление редукторов, резиновые уплотнения, сальники, направляющие ролики, муфты сцепления, бойки, толкатели, стволы, и т.п.
  - 8.3. На сменные и расходные части: цанги, зажимные гайки и фланцы, фильтры, ножи, шлифовальные подошвы, цепи, звездочки, пыльные шины, защитные кожки, пилки, абразивы, пыльные и абразивные диски, фрезы, сверла, буры и т.п.
  - 8.4. На неисправности, возникшие в результате перегрузки инструмента (как механической, так и электрической), повлекшей выход из строя одновременно двух и более деталей и узлов, таких как ротора и статора, обеих обмоток статора, ведомой и ведущей шестерни редуктора или других узлов и деталей. К безусловным признакам перегрузки изделия относятся, помимо прочего: появление цветов побежалости, деформация или оплавление деталей и узлов изделия, потемнение или обугливание изоляции проводов электродвигателя под воздействием высокой температуры.

### \* Зарегистрируйте ваш новый электроинструмент STANLEY FATMAX чтобы получить 3 года гарантии.

- требуется регистрация продукта в течение 4-х недель со дня покупки;
- для регистрации посетите наш сайт [sfm.stanley.ru](http://sfm.stanley.ru)



### Горячая линия

**8-800-1000-876**

Актуальную информацию об обслуживании в интересующем вас городе вы можете узнать на сайте

**[service.stanley.ru](http://service.stanley.ru)**

- Список авторизованных сервисных центров
- Поиск ближайшего сервисного центра
- Руководство по эксплуатации
- Технические характеристики
- Список деталей и запасных частей
- Схема сборки инструмента

15-04-2021

NA065919

# ГАРАНТИЙНОЕ ОБСЛУЖИВАНИЕ

## С БЕСПЛАТНОЙ ДОСТАВКОЙ

Теперь вы можете сдать инструмент в сервис, даже если его нет в вашем городе.

Скачать/распечатать инструкцию с сайта

[service.stanley.ru](http://service.stanley.ru)



### Отметки о проведении сервисного обслуживания

№1	№2	№3	№4
№ заказа	№ заказа	№ заказа	№ заказа
Дата поступления	Дата поступления	Дата поступления	Дата поступления
Дата ремонта	Дата ремонта	Дата ремонта	Дата ремонта
Печать и подпись сервисного центра	Печать и подпись сервисного центра	Печать и подпись сервисного центра	Печать и подпись сервисного центра



## ПОДАРОК ЗА ОТЗЫВ\*

- 1 Зарегистрируйся на [my.stanley.ru](http://my.stanley.ru)
- 2 Напиши отзыв о покупке
- 3 Получи подарок на выбор\*\*



\*Акция проводится на территории Российской Федерации. Подробные условия акции указаны на [my.stanley.ru](http://my.stanley.ru)

\*\* Подарок может отличаться от изображенного, актуальный перечень см. на [my.stanley.ru](http://my.stanley.ru)

## Сфера застосування

Ваш акумуляторний цвяхозабивний пістолет компанії STANLEY FATMAX SFMCN616 призначений для забивання цвяхів. Цей пристрій призначений для професійного використання, а також для приватних непрофесійних користувачів.

## Інструкції з техніки безпеки

### Загальні правила безпеки для електричного інструмента



**Увага! Ознайомтеся з усіма попередженнями, інструкціями з техніки безпеки, зображеннями та специфікаціями, які поставляються з цим електричним інструментом.** Невиконання наведених нижче попереджень та інструкцій може призвести до ураження електричним струмом, пожежі та/або серйозних травм.

**Збережіть всі попередження та інструкції для використання в майбутньому.** Термін «електричний інструмент» в усіх попередженнях, перерахованих нижче, стосується використовуваних вами інструментів, що працюють від мережі енергоспоживання (з використанням електричного кабелю) або батарей (без кабелю).

#### 1. Безпека робочої зони

- Тримайте робочу зону чистою та добре освітленою.** Захаращена або темна робоча зона призводить до нещасних випадків.
- Не використовуйте електричні інструменти у вибухонебезпечній атмосфері, наприклад у присутності займих рідин, газів та пилу.** Електричні інструменти створюють іскри, що можуть запалити пил або пару.
- Тримайте дітей та сторонніх подалі під час використання інструмента.** Відвернення уваги може призвести до втрати контролю.

#### 2. Електрична безпека

- Вилка електричного інструмента має відповідати розетці. Ніколи жодним чином не змінюйте вилку. Не використовуйте адаптери з заземленими електричними інструментами.** Немодифіковані вилки та розетки, що підходять до них, зменшують ризик ураження електричним струмом.
- Уникайте контакту тіла із заземленими поверхнями, такими як труби, радіатори, плити та холодильники.** Якщо ваше тіло заземлене, збільшується ризик ураження електричним струмом.

- Не залишайте електричні інструменти під дощем або за умов підвищеної вологості.** Вода, що потрапляє в електричний інструмент, підвищує ризик ураження електричним струмом.
- Не використовуйте кабель живлення не за призначенням. Ніколи не переносьте, не тягніть та не відключайте електричний інструмент від розетки електроживлення за допомогою шнура.** Тримайте шнур подалі від високих температур, мастила, гострих предметів та рухомих деталей. Пошкоджені або перекручені шнури підвищують ризик ураження електричним струмом.
- Під час експлуатації електричного інструмента на вулиці використовуйте подовжувальний шнур, що призначений для використання поза приміщеннями.** Використання шнура, що призначений для використання поза приміщенням, знижує ризик ураження електричним струмом.
- Якщо неможливо уникнути використання електричного інструмента за умов підвищеної вологості, використовуйте джерело живлення, захищене пристроєм з керуванням диференційним струмом (RCD).** Використання RCD знижує ризик ураження електричним струмом.

#### 3. Особиста безпека

- Будьте в стані готовності, дивіться, що ви робите, та будьте розсудливі, працюючи з електричним інструментом.** Не використовуйте електричний інструмент, коли ви втомлені або знаходитесь під впливом наркотичних речовин, алкоголю або ліків. Втрата уваги під час роботи з електричними інструментами може призвести до серйозних травм.
- Використовуйте особисті засоби безпеки. Завжди використовуйте засоби захисту очей.** Засоби безпеки, такі як протипилова маска, нековзкі безпечні черевки, захисний шолом та засоби захисту слухового апарату, використані для відповідних умов, зменшують імовірність особистих травм.
- Уникайте випадкового запуску. Переконайтесь в тому, що вимикач знаходиться в позиції Вимк. перед підключенням до джерела живлення та/або акумулятора, переміщенням або перенесенням пристрою.** Може статися нещасний випадок, коли ви переносите інструмент, тримаючи палець на вимикачі, або підключаєте живлення до вимикача в позиції Увімк.
- Зніміть всі налаштувальні ключі або гайкові ключі перед вмиканням електричного інструмента.** Гайковий ключ, що залишився прикріпленим до якоїсь деталі електричного пристрою, що обертається, може призвести до травм.

- e. **Не намагайтесь дотягнутись і працювати у незручному положенні. Завжди утримуйте правильну постановку ніг і рівновагу.** Це дає вам змогу краще контролювати інструмент в неочікуваних ситуаціях.
- f. **Вдягайте відповідний одяг. Не вдягайте вільний одяг або прикраси. Тримайте ваше волосся та одяг подалі від рухомих деталей.** Вільний одяг, прикраси або довге волосся можуть зачепитися за рухомі деталі.
- g. **Якщо передбачені пристрої для підключення до засобів виділення та збирання пилу, переконайтеся, що вони правильно підключені та використовуються.** Використання таких пристроїв зменшує ризик виникнення небезпечних ситуацій, що пов'язані з потраплянням пилу.
- h. **Навіть якщо ви добре знаєте інструмент та часто його використовуєте, не розслабляйтесь і не забувайте про принципи техніки безпеки.** Необережні дії можуть за долю секунди призвести до важких тілесних ушкоджень.
4. **Використання електричного інструмента та догляд за ним**
- a. **Не застосовуйте надмірні зусилля під час роботи з інструментом. Використовуйте електричний інструмент, який відповідає завданню, що виконується.**  
Правильно обраний інструмент виконає завдання краще та безпечніше за умов, для яких він був розроблений.
- b. **Не використовуйте інструмент, вмикач якого не вмикає та не вимикає його.** Будь-який електричний інструмент, яким неможливо керувати за допомогою вмикача, є небезпечним і має бути відремонтований.
- c. **Відключіть вилку від джерела живлення та/або зніміть акумуляторний блок з електричного інструмента перед тим, як робити будь-які налаштування, змінювати додаткове обладнання чи зберігати електричні інструменти.** Ці профілактичні заходи зменшують ризик випадкового запуску електричного інструмента.
- d. **Зберігайте вимкнені електричні інструменти подалі від дітей та не дозволяйте особам, що не знайомі з електричним інструментом або цими інструкціями, використовувати електричний інструмент.** Електричні інструменти є небезпечними, якщо вони використовуються некваліфікованими користувачами.
- e. **Технічне обслуговування електричних інструментів та приладдя. Перевіряйте несумісність або заїдання рухомих деталей, наявність ушкоджених частин та інших умов, що можуть впливати на роботу електричного інструмента. Якщо є пошкодження, відремонтуйте електричний інструмент перед використанням.** Нещасні випадки часто є результатом того, що інструмент не пройшов відповідного технічного обслуговування.
- f. **Тримайте ріжучі інструменти гострими та чистими.** Правильно доглянуті ріжучі інструменти з гострими різальними кромками мають меншу імовірність заїдання і ними легше керувати.
- g. **Використовуйте електричний інструмент, приладдя та деталі інструмента тощо у відповідності до цих інструкцій, зважаючи на умови використання та роботу, яка має бути виконана.**  
Використання електричних інструментів не за призначенням може призвести до виникнення небезпечних ситуацій.
- h. **Всі ручки та поверхні для тримання інструменту повинні бути сухими та без залишків мастила.** Слизькі ручки та поверхні для тримання не дозволяють безпечно працювати та контролювати інструмент у неочікуваних ситуаціях.
5. **Використання та догляд за інструментом, що працює від акумулятора**
- a. **Заряджайте інструмент лише за допомогою зарядного пристрою, що вказаний виробником.** Зарядний пристрій, що підходить до одного типу акумуляторів, може призвести до пожежі в разі використання з іншим акумулятором.
- b. **Використовуйте електричні інструменти лише зі спеціально розробленими комплектами батарей.** Використання інших акумуляторів може призвести до травм або пожежі.
- c. **Коли комплект батарей не використовується, зберігайте його подалі від таких металевих предметів, як скріпки, монети, ключі, цвяхи, гвинти або інші невеликі предмети, що можуть призвести до замикання двох контактів.** Коротке замикання клем акумулятора може призвести до вибуху або пожежі.
- d. **За невідповідних умов використання рідина може витекти з батареї, уникайте контакту з цією рідиною.** Якщо контакт таки стався, промийте забруднену ділянку водою. Якщо рідина потрапила в очі, промийте водою та зверніться до лікаря. Рідина, що витікає з акумулятора, може призвести до подразнення та опіків.
- e. **Не використовуйте акумулятор або інструмент, який пошкоджено або змінено.** Пошкоджені або модифіковані акумулятори можуть поводити себе непередбачуваним чином, призводячи до пожежі, вибуху або тілесним ушкодженням.

- f. **Не надавайте акумулятор або інструмент впливу вогню або надмірних температур.** Вплив вогню або температури вище 130 °C може спричинити вибух.
- g. **Виконуйте всі інструкції щодо зарядки та не заряджайте акумулятор або інструмент за межами температурного діапазону, вказаного в інструкціях.** Неналежна зарядка або зарядка поза межами вказаного температурного діапазону може пошкодити акумулятор та підвищити ризик пожежі.
- 6. Обслуговування**
- a. Надавайте ваш електричний інструмент для обслуговування кваліфікованим спеціалістом з ремонту та використовуйте тільки ідентичні замінні деталі. Це забезпечить безпеку електричного пристрою, що обслуговується.
- b. Ніколи не ремонтуйте пошкоджені акумуляторні батареї. Сервісне обслуговування АКУМУЛЯТОРНИХ БАТАРЕЙ повинно здійснюватися тільки виробником або уповноваженими постачальниками.

### Додаткові правила безпеки для електричного інструмента

- ◆ Використовуйте додаткові ручки, що надаються з інструментом. Втрата контролю над інструментом може викликати травми.
- ◆ Тримайте інструмент за ізольовану поверхню при виконанні операцій, коли ріжучі аксесуари можуть торкнутися схованої проводки. Ріжучі елементи при контакті з дротом під напругою може призвести до появи напруги в інструменті та ураження оператора електричним струмом.
- ◆ Утримуйте електроінструмент за ізольовані захоплюючі поверхні під час виконання операції, коли кріпильний елемент може контактувати з прихованою проводкою або власним шнуром. Контакт кріпильних елементів з проводкою під напругою може призвести до появи напруги в інструменті та ураження оператора електричним струмом.
- ◆ Використовуйте затискач або інший спосіб закріплення деталі, що оброблюється, на стабільній платформі. Утримування деталі в руці та притискання її до тіла робить її нестабільною та може призвести до втрати контролю.
- ◆ Перед свердлінням стін, підлоги та стелі переконайтесь, що в цьому місці відсутні електрична проводка та труби.
- ◆ Уникайте контакту з кінцем свердла відразу після свердління, тому що він може бути гарячим.
- ◆ Використання за призначенням описане в цьому керівництві з використання. Використання аксесуарів або приладдя, виконання будь-яких дій з інструментом,

що суперечать рекомендаціям цієї інструкції, може становити небезпеку травмування людини та/або пошкодження майна.

### Безпека оточення

- ◆ Ніколи не дозволяйте використовувати прилад дітям, особам зі знизженими фізичними, сенсорними або розумовими можливостями або особам, яким бракує досвіду чи знань, а також людям, які не ознайомлені з цими інструкціями.
- ◆ За місцевим законодавством вік оператора пристрою може бути обмежений.
- ◆ Не використовуйте пристрій, коли інші особи, особливо діти або домашні тварини знаходяться поруч.

### Додаткові інструкції з техніки безпеки для акумуляторних цвяхозабивних пістолетів

- ◆ Завжди вдягайте захисні окуляри.
- ◆ Завжди використовуйте засоби захисту органів слуху.
- ◆ Використовуйте тільки кріпильні елементи того типу, який вказано в посібнику.
- ◆ Не використовуйте підставки для кріплення інструменту до опори.
- ◆ Не розбирайте і не блокуйте жодні деталі ударного інструменту, наприклад, контактний вимикач.
- ◆ Перед початком кожної операції переконайтесь в тому, що запобіжник і спусковий механізм функціонує правильно і що всі гайки і болти затягнуті.
- ◆ Не використовуйте інструмент в якості молотка.
- ◆ Не використовуйте інструмент в якості драбини.
- ◆ Ніколи не спрямовуйте робочий ударний інструмент для кріпильних елементів на себе або інших людей.
- ◆ Під час роботи тримайте інструмент таким чином, щоб не завдати травм голові чи тілу в разі можливої віддачі у зв'язку з перебоями в подачі енергії або твердими ділянками в заготовці.
- ◆ Ніколи не приводьте в дію ударний інструмент кріпильних елементів у вільний простір.
- ◆ У робочій зоні носіть інструмент тільки однією рукою, але ніколи не з натиснутою кнопкою включення.
- ◆ Враховуйте умови в зоні робіт, де кріпильні елементи можуть пробивати тонкі заготовки або зісковзувати з кутів і країв заготовки, і тим самим наражати людей на небезпеку.
- ◆ Не забувайте кріпильні елементи поблизу краю заготовки.
- ◆ Не забувайте кріпильні елементи поверх інших кріпильних елементів.

- ◆ **Завжди припускайте, що інструмент заряджений цвяхами.** Необережне поводження з інструментом може призвести до несподіваної стрільби кріпильними елементами та отриманню травм.
- ◆ **Не направляйте інструмент на себе чи когось поблизу.** Несподіване спрацювання інструмента призведе до пострілу кріпильним елементом, що спричинить травму.
- ◆ **Не вмикайте інструмент, поки він не буде щільно прилягати до заготовки.** Якщо інструмент не контактує із заготовкою, кріпильний елемент може бути відхилений від вашої цілі.
- ◆ **Відключіть інструмент від джерела живлення, якщо кріпильний елемент застрягне в інструменті.** Під час виймання застряглого кріпильного елемента, цвяхозабивний пістолет може бути випадково активований, якщо він підключений до джерела живлення.
- ◆ **Не використовуйте цей інструмент для кріплення електричних кабелів.** Він не призначений для прокладання електричних кабелів і може пошкодити ізоляцію електричних кабелів, що може викликати небезпеку ураження електричним струмом або виникнення пожежі.

### Залишкові ризики

Під час використання інструменту можуть виникнути додаткові залишкові ризики, що можуть не охоплюватися переліченими правилами безпеки. Ці ризики можуть виникнути як результат неправильного використання, тривалого використання, тощо.

Незважаючи на виконання всіх відповідних правил техніки безпеки та використання захисних пристроїв, неможливо уникнути деяких залишкових ризиків. Сюди належать:

- ◆ Травми через контакт з деталями, що рухаються/обертаються.
- ◆ Травми під час заміни деталей, пильних дисків або аксесуарів.
- ◆ Травми через занадто тривале використання інструменту. При використанні будь-якого інструменту протягом тривалого періоду часу не забувайте робити регулярні перерви.
- ◆ Порушення слуху.
- ◆ Небезпека для здоров'я через вдихання пилу, що утворюється під час використання інструменту (наприклад, при роботі з деревом, особливо з дубом, буком та ДВП)

### Вібрація

Значення вібрації, вказані в технічних даних та в декларації про відповідність виміряні з дотриманням стандартних методів тестування, наданих у EN60745,

та їх можна використовувати для порівняння одного інструменту з іншим. Задекларовані значення вібрації можна також використовувати для попереднього оцінювання впливу вібрації.

**Увага!** Значення вібрації під час використання інструмента може відрізнитися від задекларованого в залежності від способів використання інструмента. Рівень вібрації може перевищувати вказані значення.

Оцінюючи вплив вібрації для визначення заходів безпеки за вимогами 2002/44/ЕС, щоб захистити людей, які регулярно використовують інструменти в роботі, необхідно враховувати реальні умови та способи використання інструмента, у тому числі всі періоди робочого циклу, наприклад час, коли інструмент вимкнено та коли він працює в режимі холодного ходу, а також час, потрібний для запуску інструмента.

### Написи на інструменті

Наведені нижче символи нанесені на інструмент разом в кодом дати:



**Увага!** Щоб зменшити ризик травм, користувач повинен прочитати інструкцію з експлуатації.



**Увага!** Щоб зменшити ризик травм, користувач повинен вдягати засоби захисту слуху та очей.



**Обережно!** Не дивіться на лампу, що працює.



Тримайте руки та частини тіла подалі від робочої зони.



Лампи підсвічування освітлюють не тільки робочу поверхню, а також індикатор низького заряду батареї та індикатор забитого цвяха.

### Додаткові інструкції з техніки безпеки для батарей та зарядних пристроїв

#### Батареї

- ◆ Ніколи не намагайтесь відкривати батарею.
- ◆ Не занурюйте батарею у воду.
- ◆ Не зберігайте у місцях, де температура може перевищувати 40 °C.
- ◆ Заряджайте лише за температури навколишнього середовища між 10 °C та 40 °C.
- ◆ При утилізації батарей дотримуйтесь інструкцій, наведених у розділі «Захист навколишнього середовища».

- ◆ Не пошкоджуйте і не деформуйте батареї шляхом проколу або удару, це може призвести до ризику травми та пожежі.
- ◆ Не заряджайте пошкоджені батареї.
- ◆ За екстремальних умов можлива розгерметизація батареї. Якщо ви помітите на батареї рідину, витріть її обережно тканиною. Уникайте контакту зі шкірою.
- ◆ При потрапленні на шкіру або в очі виконуйте наступні інструкції.

**Увага!** Рідина батареї здатна спричинити тілесне ураження або пошкодження майна. У випадку потраплення на шкіру негайно промийте її водою. У разі виникнення почервоніння, болю чи подразнення зверніться до лікаря. У випадку потраплення на слизову очей негайно промийте великою кількістю чистої води та зверніться по медичну допомогу.

### Зарядні пристрої

- ◆ Використовуйте зарядний пристрій STANLEY FATMAX для зарядки батарей лише того інструмента, з яким він був у комплекті. Інші батареї можуть вибухнути, спричинивши травми та пошкодження.
- ◆ Ніколи не намагайтесь заряджати батареї, що не підлягають зарядці.
- ◆ Негайно замініть пошкоджений шнур живлення.
- ◆ Уникайте контакту зарядного пристрою з водою.
- ◆ Не відкривайте зарядний пристрій.
- ◆ Не розбирайте зарядний пристрій

### Умовні позначки на зарядному пристрої



Зарядний пристрій призначений для використання в приміщенні.



Прочитайте інструкції цього посібника перед використанням.



Не заряджайте пошкоджені батареї.

### Електрична безпека



Зарядний пристрій має подвійну ізоляцію, тому заземлення непотрібне. Завжди перевіряйте відповідність джерела живлення напрузі, що вказана на табличці з паспортними даними. Ніколи не намагайтесь замінити зарядний пристрій звичайним мережним штепселем.

- ◆ Якщо силовий кабель пошкоджений, його необхідно замінити у виробника або в офіційному сервісному центрі STANLEY FATMAX для уникнення небезпеки.

**Увага!** Ніколи не намагайтесь замінити зарядний пристрій звичайним мережним штепселем.

### Заміна шнура живлення (тільки для Великої Британії та Ірландії)

Якщо потрібно встановити нову вилку, виконайте кілька дій:

- ◆ Зніміть стару вилку та утилізуйте її, дотримуючись правил техніки безпеки.
- ◆ Приєднайте коричневий провідник до активного виходу нової вилки.
- ◆ Приєднайте блакитний провідник до нейтрального виходу.

**Увага!** Жоден провід не повинен бути підключений до клеми заземлення. Дотримуйтесь інструкцій щодо встановлення, які постачаються з якісними вилками. Плавкий запобіжник, що рекомендується: 5 А.

### Компоненти

Цей пристрій має всі або деякі з нижче перерахованих компонентів.

1. Тригерний перемикач
2. Тригерний перемикач блокування
3. Коліщатко регулювання глибини
4. Індикатор регулювання глибини
5. Лампочка/індикатор низького заряду/застрягання/заклинювання
6. Важіль розблокування прихвату
7. Засувка для видалення застрягання
8. Контактний вимикач
9. Обойма
10. Засувка штовхача
11. Відпускання засувки штовхача
12. Батарея

### Використання

**Увага!** Інструмент повинен працювати з рекомендованою швидкістю. Не перевантажуйте його.

### Заряджання акумуляторної батареї (рис. А)

Необхідно зарядити батарею перед першим використанням, а також коли вона не може забезпечити достатню потужність для виконання завдань, які легко виконувались раніше. Батарея може стати теплою під час зарядки; це нормально та не є показником проблеми.

**Увага!** Не заряджайте батарею за температури навколишнього середовища нижче 10 °С або вище 40 °С. Рекомендована температура зарядки: приблизно 24 °С. **Примітка.** Зарядний пристрій не заряджає батарею, якщо її температура нижче приблизно 10 °С або вище 40 °С.

**Батарею потрібно залишити у зарядному пристрої, який автоматично почне її заряджати, коли температура батареї підніметься або зменшиться.**  
**Примітка.** Щоб забезпечити максимальну продуктивність



та тривалість роботи літій-іонних акумуляторів, повністю заряджайте їх перед першим використанням.

- ◆ Підключіть зарядний пристрій (13) до відповідної розетки перед встановленням акумулятора (12).
- ◆ Зелений індикатор зарядки (13a) буде блимати постійно, вказуючи на те, що процес зарядки розпочався.
- ◆ Після завершення зарядки зелений індикатор зарядки (13a) залишається постійно включеним. Це означає, що акумулятор (12) повністю заряджений та може бути вийнятий та використовуватися одразу або залишатися в зарядному (13) пристрої.
- ◆ Не тримайте батареї розрядженими більше 1 тижня. Термін служби батареї значно зменшується, якщо вона зберігається у незарядженому стані.

Режими світлодіода зарядного пристрою

	<b>Заряджається:</b> Зелений світлодіод блимає	
	<b>Повністю заряджений:</b> Зелений світлодіод постійно горить	
	<b>Затримка через надмірно високу/низьку температуру батареї:</b> Зелений світлодіод блимає Червоний світлодіод постійно горить	

**Примітка.** Сумісний зарядний пристрій (пристрої) не буде заряджати несправний акумулятор. Зарядний пристрій розпізнає несправну акумуляторну батарею та не ввімкне світловий індикатор.

**Примітка.** Це також може свідчити про проблему з зарядним пристроєм. Якщо виявлено проблему із зарядним пристроєм, віднесіть зарядний пристрій та акумулятор для перевірки в авторизований сервісний центр.

**Залишення батареї в зарядному пристрої**

Батареї можна залишити в зарядному пристрої на необмежений час з індикатором, який працює. Зарядний пристрій буде підтримувати батарею у повністю зарядженому стані.

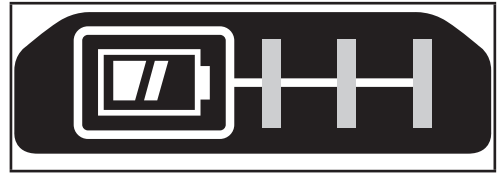
**Затримка через надмірно високу/низьку температуру акумулятора**

Якщо зарядний пристрій визначас, що батарея є занадто гарячою або занадто холодною, він автоматично вмикає

режим температурної затримки, зелений світлодіодний індикатор (13a) буде періодично блимати, а червоний світлодіодний індикатор (13b) буде постійно постійно горіти, припиняючи процес зарядки, доки батарея не досягне відповідної температури. Зарядний пристрій автоматично перемикається в режим зарядки акумулятора. Ця функція забезпечує максимальний термін служби акумулятора.

**Індикатор стану зарядки акумулятора (рис. B)**

Акумулятор містить індикатор стану зарядки для швидкого визначення заряду батареї, як показано на рисунку B. Натиснувши кнопку стану зарядки (12a), можна легко переключити, скільки заряду залишилося в акумуляторі, як показано на рисунку B.



**Встановлення акумулятора в інструмент та його виймання з інструмента**

**Увага!** Перед встановленням та зніманням батареї переконайтеся, що інструмент заблокований, щоб уникнути його випадкового запуску.

**Встановлення акумуляторної батареї (рис. C)**

- ◆ Вставте акумулятор в інструмент до упору, щоб почути звук клацання, як показано на рисунку A. Переконайтеся, що акумулятор повністю вставлений і зафіксований в цьому положенні.

**Виймання акумуляторної батареї (рис. D)**

- ◆ Натисніть кнопку вивільнення батареї (12b), як показано на рисунку D, та витягніть її з пристрою.

**Гачок для підвішування (рис. E)**

**Увага!** Вийміть цвяхи з обойми перед здійсненням регулювання або обслуговування інструмента. Невиконання цієї вимоги може призвести до серйозних травм.

**Увага!** Щоб знизити ризик серйозних травм, встановіть кнопку реверсу (вперед/назад) у положення блокування або вимкніть інструмент та відключіть акумулятор перед виконанням будь-яких налаштувань або зніманням/встановленням насадок або аксесуарів. Випадковий запуск може призвести до травм.

**Увага!** Щоб знизити ризик отримання важких травм, переконайтеся у надійній фіксації гвинта (15), який утримує поясний гачок.

**Обережно!** Коли інструмент не використовується, залиште його на нерухомій поверхні в положенні на боку, убезпечивши його від падіння чи інших випадкових пошкоджень. Деякі інструменти з великими акумуляторами можна ставити на акумулятор, однак їх легко перевернути. Примітка. Для встановлення або заміни гачка для підвішування (14) використовуйте лише гвинт (15), який йде в комплекті. Переконайтесь, що гвинт надійно затягнутий.

Якщо гак непотрібний взагалі, його можна зняти з інструмента.

Щоб переставити гачок для підвішування (14), викрутіть гвинт (15), який його кріпить.

Примітка. Можливі різні конфігурації зберігання і гачка для пересування підвішування на стіну.

Відвідайте наш сайт [www.stanley.eu/3](http://www.stanley.eu/3) для подальшої інформації.

## Експлуатація

**Увага!** Уважно прочитайте розділ «Попередження з техніки безпеки при роботі цвяхозабивного пістолета» на початку цього посібника. При роботі з цим інструментом слід використовувати засоби захисту органів слуху. Не наводьте інструмент на себе та інших. Для безпечної експлуатації виконайте наступні процедури та перевірки перед кожним використанням цвяхозабивного пістолета.

**Увага!** Щоб знизити ризик отримання травм, відключіть акумулятор від інструмента та активуйте тригерний перемикач блокування перед проведенням технічного обслуговування, вийманням застряглою цвяха, залишанням робочої зони, перенесенням інструмента в інше місце або передачею інструмента іншій особі.

**Увага!** Утримуйте пальці ПОДАЛІ від спускового курка, коли не забуваєте кріпильні елементи, щоб уникнути випадкових пострілів кріпильними елементами. Ніколи не переміщуйте інструмент с пальцем на спусковому курку.

- ◆ Використовуйте належні засоби для захисту органів зору, слуху та дихальних шляхів.
- ◆ Вийміть акумуляторну батарею з інструменту і увімкніть блокування спускового курка.
- ◆ Зафіксуйте штовхач в задньому положенні й вийміть усі цвяхи із обойми.
- ◆ Перевірте плавність і правильність роботи вузлів контактного вимикача і штовхача. Не використовуйте інструмент, якщо будь-який з вузлів не працює належним чином.
- ◆ Ніколи не використовуйте інструмент, який має пошкоджені деталі.

**Увага!** Експлуатуйте інструмент з кріпильними елементами зі швидкістю, що не перевищує 30 пострілів/хв.

## Для експлуатації цвяхозабивного пістолета

**Увага!** Спочатку треба натиснути контактний вимикач, а потім натискати курок для кожного цвяха; після кожного забивання цвяха треба відпустити контактний вимикач і спусковий курок.

**Увага!** Акумулятор слід завжди виймати та блокувати від спрацьовування спускового курка при будь-яких налаштуваннях або коли інструмент не використовується.

- ◆ Повністю притисніть контактний вимикач (8) до робочої поверхні.
- ◆ Повністю натисніть на спусковий курок (1) і двигун запуститься. (цвях заб'ється у робочу поверхню).
- ◆ Відпустіть спусковий курок.
- ◆ Підніміть контактний вимикач від робочої поверхні.
- ◆ Повторіть вищезазначені 4 кроки для наступного застосування

## Підготовка інструмента

**Увага!** НІКОЛИ не розпорошуйте і не застосовуйте будь-яким іншим чином мастильні матеріали або мийні засоби на основі розчинників всередині інструменту. Це може серйозно вплинути на термін служби і експлуатаційні характеристики інструмента.

**Увага!** Завжди виймайте батарею та блокуйте спусковий курок для виконання будь-яких регулювань або коли інструмент не використовується.

- ◆ Прочитайте розділ «Правила техніки безпеки» цього керівництва.
- ◆ Носіть засоби захисту очей і вух.
- ◆ Вийміть акумулятор з інструменту та повністю зарядіть.
- ◆ Переконайтесь, що в обоймі немає кріпильних елементів.
- ◆ Перевірте плавність і правильність роботи вузлів контактного вимикача і штовхача. Не використовуйте інструмент, якщо будь-який з вузлів не працює належним чином.
- ◆ Не наводьте інструмент на себе та інших.
- ◆ Вставляйте повністю заряджений акумулятор.

## Завантаження інструмента (рис. F)

**Увага!** Не наводьте інструмент на себе та інших. Можливе важке травмування.

**Увага!** В одному разі не завантажуйте цвяхи, якщо активовано контактний вимикач або спусковий курок.

**Увага!** Завжди виймайте акумуляторну батарею перед завантаженням або розвантаженням цвяхів.

**Увага!** Завжди виймайте батарею та блокуйте спусковий курок для виконання будь-яких регулювань або коли інструмент не використовується.

**Увага!** Для запобігання травм тримайте пальці подалі від штовхача.

- ◆ Вставте кріпильні елементи у низ обойми (9).
- ◆ Потягніть засувку штовхача (10) донизу поки подавач цвяхів (16) не опиниться за цвяхами, як показано на рисунку F.
- ◆ Відпустіть засувку штовхача (10).

## Розвантаження інструмента

**Увага!** Завжди виймайте батарею та блокуйте спусковий курок для виконання будь-яких регулювань або коли інструмент не використовується.

- ◆ Натисніть кнопку відпускання засувки (11).
- ◆ Вручну спустіть цвяхи у напрямку нижньої частини обойми (9).
- ◆ Відчиніть дверцята для видалення застряганих в наконечнику, щоб переконатися у відсутності залишених цвяхів.

## Регулювання глибини (рис. G)

Глибину забивання цвяха можна регулювати за допомогою коліщатка регулювання глибини (3) на бічній стороні інструмента.

**Увага!** Для зниження ризику отримання важких травм від випадкового спрацьовування при спробі регулювання глибини, обов'язково:

- ◆ Вийміть батарею.
- ◆ Увімкніть блокувач спускового курка.
- ◆ Уникайте контакту зі спусковим курком під час регулювання.

Налаштування глибини позначені на ковзній шкалі на індикаторі регулювання глибини (4). Ліва сторона вказує на найбільшу, а права на найменшу глибину.

- ◆ Для менш глибокого забивання цвяхів поверніть коліщатко регулювання глибини донизу (3). Це змістить індикатор регулювання глибини (4) вліво на шкалі.
- ◆ Для менш глибокого забивання цвяхів поверніть коліщатко регулювання глибини догори (3). Це змістить індикатор регулювання глибини (4) вправо на шкалі.

## Робоче світло (рис. H)

З бічних сторін цвяхозабивного пістолета знаходиться робоче світло (5).

Робоче світло активується під час натиснення контактного вимикача

**Примітка.** Це робоче світло призначене лише для підсвічування безпосередньої робочої зони і не має використовуватися як ліхтарик.



## Індикатор низького рівня заряду батареї

Робоче світло спалахуватиме і повністю вимкнеться, щоб позначити низький заряд батареї.



## Індикатор застряглого цвяха

Робоче світло горітиме постійно, якщо цвях застряг в насадці (див. розділ «Видалення застряглого цвяха»).

## Зняття заїдання (рис. I)

**Увага!** У разі заїдання інструмент вимкне себе і вимагатиме скидання. Для цього виконуйте вказівки щодо усунення заїдання. Далі вийміть батарею та вставте акумуляторну батарею по новому. Тепер інструмент придатний для роботи. Якщо цвяхозабивний пістолет використовується з більш твердим матеріалом, коли вся доступна енергія в двигуні використовується для переміщення кріпильних елементів, інструмент може заклинювати. Бойок не завершить цикл руху, і спалахне індикатор заклинювання/заїдання. Поверніть важіль розблокування (6) на інструменті, і механізм звільниться.

**Примітка!** Інструмент самостійно вимкнеться і не перезавантажиться до тих пір, поки акумуляторна батарея не буде знята та вставлена заново. Якщо пристрій продовжує заїдати, перевірте матеріал і довжину кріпильного елемента, щоб переконатися, що він не дуже жорсткий для цього випадку. Якщо бойок не повертається автоматично у початкове положення після обертання важеля розблокування, перейдіть до «видалення застряглого цвяха».



## Видалення застряглого цвяха (рис. I, J)

**Увага!** Щоб зменшити ризик отримання травм, від'єднайте акумуляторну батарею від інструменту та зафіксуйте пристрій блокування спускового курка перед проведенням технічного обслуговування або видаленням застряглого цвяха.

Якщо цвях застряг в наконечнику, для його видалення тримайте інструмент спрямованим в бік від себе і дотримуйтеся інструкцій для його вивільнення:

- ◆ Вийміть акумуляторну батарею з інструменту і увімкніть блокування спускового курка.



- ◆ Поверніть важіль розблокування прихвату (6) на інструменті, щоб відпустити бойок і усунути застрягання. Якщо усунення ще не усунуто, виконайте наступні 9 кроків:

- ◆ Потягніть штофхач донизу до блокування на місці, потім переверніть інструмент, щоб цвяхи вільно перемістились з нижньої частини магазину.



- ◆ Підніміть засувку для видалення застрягань (7), потягнувши її вгору, щоб відчинити передні дверцята (17).
- ◆ Видаліть погнутий цвях, при необхідності скористайтесь плоскогубцями.
- ◆ Якщо бойок знаходиться у нижньому положенні, вставте викрутку або інший стрижень у наконечник і поверніть бойок у позицію.
- ◆ Зачиніть передні дверцята і активуйте дротову форму (19) під двома лапками (18) на наконечнику. Потягніть засувку для видалення застрягань (7) до блокування на місці.
- ◆ Вставте цвяхи в магазин (див. розділ «Завантаження інструмента»).
- ◆ Потягніть штофхач (10) донизу поки подавач цвяхів (16) не опиниться за цвяхами, як показано на рисунку F.
- ◆ Вставте акумуляторну батарею.
- ◆ Роз'єднайте систему блокування спускового курка (2), щоб дозволите активування тригера.

**Увага!** У разі заїдання інструмент вимкне себе і вимагатиме скидання. Для цього виконуйте вказівки щодо усунення заїдання цвяхів. Далі вийміть батарею та вставте акумуляторну батарею по новому. Тепер інструмент придатний для роботи.

**Примітка!** Якщо цвяхи продовжують часто заклинювати в насадці, зверніться за допомогою до офіційного сервісного центру компанії STANLEY FATMAX.

### Експлуатація в холодну погоду

При роботі з інструментами при температурах нижче точки замерзання:

- ◆ Зберігайте інструмент якомога більше теплим перед використанням.
- ◆ Перед експлуатацією використовуйте інструмент 5 або 6 разів з відходами пиломатеріалу.

### Експлуатація в гарячу погоду

Інструмент повинен працювати нормально. Однак не допускайте потрапляння прямих сонячних променів на інструмент, оскільки надлишкове тепло може

привести до пошкодження бамперів та інших гумових деталей, що призведе до збільшення обсягу технічного обслуговування.

### Запасні частини

**Увага!** Щоб зменшити ризик отримання травм, від'єднайте акумуляторну батарею від інструменту та зафіксуйте пристрій блокування спускового курка перед проведенням технічного обслуговування або видаленням застряглого цвяха.

Інструмент оснащений запасним наконечником, який знаходиться позаду обійми для цвяхів.

- ◆ Для заміни наконечника просто зніміть старий наконечник та встановіть новий на контактний вимикач.

Використовуйте лише оригінальні запасні частини.

Щоб отримати список запасних частин або замовити їх, відвідайте наш сервісний веб-сайт за адресою [www.stanley.eu/3co.uk](http://www.stanley.eu/3co.uk). Ви також можете замовити запасні частини в найближчому

Сервісному центрі STANLEY FATMAX або отримати гарантійне забезпечення STANLEY FATMAX.

### Пошук та усунення несправностей

Якщо вам здається, що пристрій працює невірно, виконайте інструкції, що наводяться нижче. Якщо вам не вдалося вирішити проблему, будь ласка, зверніться до сервісного центру компанії ГАРАНТІЙНЕ ЗАБЕЗПЕЧЕННЯ.

**Увага!** Перед виконанням операцій, від'єднайте інструмент від мережі живлення.

Проблема	Можлива причина	Можливе рішення
Пристрій не запускається.	Акумулятор встановлений невірно.  Акумулятор не заряджається.  Кнопку блокування спускового курка задіяно.	Перевірте установку акумулятора.  Перевірте вимоги до зарядки акумуляторного блоку.  Роз'єднайте систему блокування спускового курка.
Інструмент не активується. (лампочки горять, двигун не працює)	Двигун зупиняється через 2 секунди.	Штатний режим роботи. Відпустіть курок або контактний вимикач та натисніть знову.
Інструмент не активується. (Лампочки мигають)	Низький заряд або пошкоджений акумулятор.	Зарядіть або замініть акумулятор.
Інструмент не активується. (Лампочки мигають безперервно)	Кріпильний елемент/ інструмент заблоковано.  Механізм заклинено	Витягніть акумуляторну батарею та перевіріть важіль розблокування прихвату. Витягніть застряглий кріпильний елемент і вставте акумуляторну батарею.  Зверніться до авторизованого сервісного центру.

Проблема	Можлива причина	Можливе рішення
Інструмент не активується (лампочки горять, двигун працює. Бойок заклипило)		Зверніться до авторизованого сервісного центру.
Інструмент працює, але не повністю переміщує кріпильні інструменти.	Низький заряд або пошкоджений акумулятор.  Налаштування глибини встановлено занадто малим.  Інструмент погано прилягає до оброблюваної поверхні.  Матеріал та довжина кріпильного елементу занадто жорсткі для застосування.	Зарядіть або замініть акумулятор.  Поверніть регулятор глибини до більшого значення  Прочитайте посібник з експлуатації  Оберіть належний матеріал або кріпильний елемент належної довжини.

## Технічне обслуговування

Ваш пристрій виробництва компанії STANLEY FATMAX призначений для роботи протягом довгого часу з мінімальним обслуговуванням. Тривала задовільна робота інструмента залежить від відповідного обслуговування інструмента/пристрою та регулярного очищення.

**Увага!** Перед очищенням вимкніть прилад і вимкніть його з розетки.

- ◆ Бруд та мастило можна видалити з поверхні зарядного пристрою за допомогою тканини.

**Увага!** НІКОЛИ не використовуйте розчинники та інші агресивні хімічні засоби для очищення неметалевих деталей інструмента. Такі хімічні речовини можуть нанести шкоду матеріалам, що використовуються в цих деталях. Використовуйте вологу тканину, змочену лише водою з м'яким милом. Не дозволяйте рідині потрапляти всередину пристрою та ніколи не занурюйте деталі пристрою в рідину.

**Увага!** НІКОЛИ не розпорошуйте і не застосовуйте будь-яким іншим чином мастильні матеріали або мийні засоби на основі розчинників всередині інструменту. Це може серйозно вплинути на термін служби і експлуатаційні характеристики інструмента.

## Інформація з обслуговування

Цей виріб не має обслуговуватися користувачем. Всередині цвяхозабивного пістолета відсутні деталі, які користувач міг би обслуговувати самостійно. З метою запобігання пошкодженню внутрішніх компонентів, чутливих до розряду статичної електрики, обслуговування має здійснюватися в авторизованому сервісному центрі.

## Захист навколишнього середовища



Роздільний збір. Пристрої та акумулятори, позначені цим символом, не можна викидати зі звичайним побутовим сміттям.

Пристрої та батареї містять матеріали, які можна відновити та переробити, що зменшить потребу у сировині.

Будь ласка, віддавайте електричні інструменти та акумулятори на переробку відповідно до місцевих постанов. Більш детальну інформацію можна отримати на сайті

[www.2helpU.com](http://www.2helpU.com)

## Технічні характеристики

		SFMCN616 Тип:H1
Напруга	V <sub>пост. струму</sub>	18
Тип батареї		Літій-іонна
Пусковий режим		Послідовний
Кут нахилу обойми		Прямий
Швидкість без навантаження	об/хв	9100
Потужність забивання	прибл.	60J
Вага (пристрій без акумулятора)	кг	2,6

Кріпильні елементи		
Довжина	мм	25-64
Діаметр хвостовика	мм	1,6
Кут		Прямий

Зарядний пристрій		SFMCB11	SFMCB12	SFMCB14
Вхідна напруга	V <sub>перем. струму</sub>	230	230	230
Вихідна напруга	V <sub>пост. струму</sub>	18	18	18
Струм	A	1,25	2	4

Батарея		SFMCB201	SFMCB202	SFMCB204	SFMCB206
Напруга	V <sub>пост. струму</sub>	18	18	18	18
Ємність	Ампер-годин	1,5	2,0	4,0	6,0
Тип		Літій-іонна	Літій-іонна	Літій-іонна	Літій-іонна

Рівень звукового тиску згідно з EN60745:

Звуковий тиск ( $L_{pA}$ ) 84 дБ(А), похибка (К) 3 дБ(А)Звукова потужність ( $L_{WA}$ ) 95 дБ(А), похибка (К) 3 дБ(А)

Загальні значення вібрації (векторна сума трьох векторів) згідно з EN60745:

Штапельні цвяхи ( $a_{\text{r}}$ ) 2,8 м/с<sup>2</sup>, похибка (К) 1,8 м/с<sup>2</sup>**Декларація про відповідність нормам ЄС**

ДИРЕКТИВА ДЛЯ МЕХАНІЧНОГО ОБЛАДНАННЯ



SFMCN616 – Акумуляторний цвяхозабивний пістолет

Компанія STANLEY Europe заявляє, що зазначені виробники відповідають стандартам EN60745-1:2009+A11:2010, EN60745-2-1:2010.

Ці виробники також відповідають Директиві 2006/42/EC, 2014/30/EU і 2011/65/EU. Для отримання додаткової інформації зверніться до компанії STANLEY Europe за наведеною нижче адресою або прочитайте інформацію на зворотному боці цього посібника.

Для отримання додаткової інформації, будь ласка, зверніться до компанії STANLEY FATMAX за наведеною нижче адресою або прочитайте інформацію на зворотному боці цього посібника.

Нижчепідписаний несе відповідальність за упорядкування файлу технічних характеристик та робить цю заяву від компанії  
STANLEY FATMAX.

A.P. Smith

Технічний директор

STANLEY FATMAX Europe, Egide Walschaertsstraat 14-18,  
2800 Mechelen, Belgium

06.08.2019

Позив за гарантією повинен відповідати умовам компанії STANLEY FATMAX, при цьому вам необхідно буде надати доказ покупки продавцю або спеціалісту офіційного сервісного центру. Умови гарантії компанії STANLEY FATMAX на 1 рік та місцезнаходження найближчого сервісного центру можна дізнатися в інтернеті на сайті [www.2helpU.com](http://www.2helpU.com) або звернутися до місцевого представництва компанії STANLEY FATMAX за адресою, вказаною у цьому керівництві.

Відвідайте наш сайт [www.stanley.eu/3](http://www.stanley.eu/3), щоб зареєструвати свій новий продукт STANLEY FATMAX та отримувати інформацію про нові продукти та спеціальні пропозиції.



Виробник:

"Stanley Black &amp; Decker Deutschland GmbH" Black-&amp;-Decker Str.40, D-65510 Idstein, Німеччина

**Гарантія**

Компанія STANLEY FATMAX впевнена в якості своєї продукції та пропонує споживачам гарантію тривалістю 12 місяців з дати покупки. Ця гарантія доповнює і жодним чином не обмежує ваші законні права. Ця гарантія є чинною на території країн-членів Європейського союзу та в європейській зоні вільної торгівлі.

**STANLEY**  
**FATMAX**

ГАРАНТІЙНИЙ ТАЛОН

**3 РОКИ**  
**ГАРАНТІЇ**

- Вітаємо Вас з покупкою високоякісного виробу Stanley FATMAX і висловлюємо вдячність за Ваш вибір.
- При покупці виробу вимагайте перевірки його комплектності і справності у Вашій присутності, інструкцію з експлуатації та заповнений гарантійний талон українською мовою. В гарантійному талоні повинні бути внесені: модель, дата продажу, серійний номер, дата виробництва інструменту; назва, печатка і підпис торгової організації. За відсутності у Вас правильно заповненого гарантійного талону, а також при невідповідності зазначених у ньому даних ми будемо змушені відхилити Ваші претензії щодо якості даного виробу.
- Щоб уникнути непорозумінь, переконливо просимо Вас перед початком роботи з виробом уважно ознайомитися з інструкцією з його експлуатації. Правовою основою справжніх гарантійних умов є чинне Законодавство. Гарантійний термін на даний виріб складає 36 місяців і обчислюється з дня продажу. У разі усунення недоліків виробу, гарантійний строк продовжується на період його перебування в ремонті. Термін служби виробу становить 5 років з дня продажу.
- У разі виникнення будь-яких проблем у процесі експлуатації виробу рекомендуємо Вам звертатися тільки в уповноважені сервісні центри Stanley FATMAX, адреси та телефони яких Ви зможете знайти в гарантійному талоні, на сайті [www.2helpU.com](http://www.2helpU.com) або дізнатися в магазині. Наші сервісні станції - це не тільки кваліфікований ремонт, але і широкий асортимент запчастин і аксесуарів.
- Виробник рекомендує проводити періодичну перевірку і технічне обслуговування виробу в уповноважених сервісних центрах.
- Наші гарантійні зобов'язання поширюються тільки на несправності, виявлені протягом гарантійного терміну і викликані дефектами виробництва та \ або матеріалів.
- Гарантійні умови не поширюються на несправності виробу, що виникли в результаті:
  - Недотримання користувачем приписів інструкції з експлуатації виробу, застосування виробу не за призначенням, неправильного зберігання, використання приладдя, витратних матеріалів і запчастин, що не передбачені виробником.
  - Механічного пошкодження (відколю, тріщини і руйнування) внутрішніх і зовнішніх деталей виробу, основних і допоміжних рукояток, мережевого кабелю, що викликані зовнішнім ударним або будь-яким іншим впливом
  - Потраплення у вентиляційні отвори та проникнення всередину виробу сторонніх предметів, матеріалів або речовин, що не є відходами, які супроводжують застосування виробу за призначенням, такими як: стружка, тирса, пісок, та ін.
  - Впливу на виріб несприятливих атмосферних і інших зовнішніх факторів, таких як дощ, сніг, підвищена вологість, нагрівання, агресивні середовища, невідповідність параметрів електромережі, що зазначені на інструменті.
  - Стихійного лиха. Пошкодження або втрати виробу, що пов'язані з непередбаченими лихами, стихійними явищами, у тому числі внаслідок дії непереборної сили (пожежа, блискавка, потоп і інші природні явища), а також внаслідок перепадів напруги в електромережі та іншими причинами, які знаходяться поза контролем виробника.
- Гарантійні умови не поширюються:
  - На інструменти, що піддавались розкриттю, ремонту або модифікації поза уповноваженим сервісним центром.
  - На деталі, вузли та матеріали, що мають сліди природного зносу, такі як: приводні реміні і колеса, вугільні щітки, мастило, підшипники, зубчасті зчеплення редукторів, гумові ущільнення, сальники, направляючі ролики, муфти, вимикачі, бойки, штовхачі, стволи тощо.
  - На змінні частини: патрони, цанги, затискні гайки і фланці, фільтри, ножі, шліфувальні підшови, ланцюги, зірочки, пильні шини, захисні кошуки, пилки, абразиви, пильні і абразивні диски, фрези, свердла, бури тощо
  - На несправності, що виникли в результаті перевантаження інструменту (як механічного, так і електричного), що спричинили вихід з ладу одночасно двох і більше деталей і вузлів, таких як: ротора і статора, обох обмоток статора, веденої і ведучої шестерні редуктора або інших вузлів і деталей. До безумовних ознак перевантаження виробу відносяться, крім інших: поява кольорів мільниці, деформація або оплавлення деталей і вузлів виробу, потемніння або обуглювання ізоляції проводів електроприводу під впливом високої температури.

Товар отриманий в справному стані, без видимих ушкоджень, в повній комплектції, перевірений у моїй присутності, претензій щодо якості товару не маю. З умовами гарантійного обслуговування ознайомлений і згоден.

П. І. Б. та підпис власника \_\_\_\_\_

**Шановні клієнти, наша мережа авторизованих сервісних центрів постійно розширюється. Актуальну інформацію про обслуговування в місті, що цікавить вас, ви можете дізнатися на сайті**

**[www.2helpU.com](http://www.2helpU.com)**

Редакція ВК/12-12-2018

Інформація про інструмент

Найменування інструменту	
Модель	
Найменування продавця	
Дата продажу	

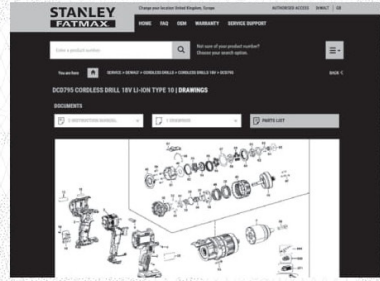
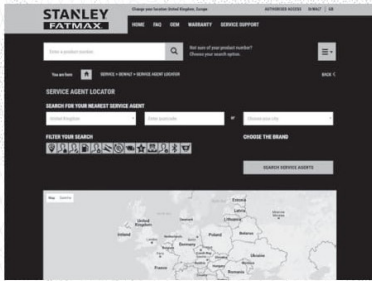
М.П.  
Продавця

Серійний номер/Дата виробництва

Інструмент	
Зарядний пристрій	
Акумулятор 1	
Акумулятор 2	

На сайті [www.2helpU.com](http://www.2helpU.com) доступні наступні функції:

- Список авторизованих сервісних центрів
- Зручний пошук найближчого сервісного центру
- Керівництво з експлуатації
- Технічні характеристики
- Список деталей і запасних частин
- Схема складання інструменту



Також дану інформацію ви можете отримати, зателефонувавши за номером:  
**0 (800) 211 521 в Україні**

**ВІДМІТКА ПРО ПРОВЕДЕННЯ СЕРВІСНОГО ОБСЛУГОВУВАННЯ**

№1	№2	№3	№4
№ замовлення	№ замовлення	№ замовлення	№ замовлення
Дата прийому	Дата прийому	Дата прийому	Дата прийому
Дата ремонту	Дата ремонту	Дата ремонту	Дата ремонту
Печатка і підпис сервісного центру	Печатка і підпис сервісного центру	Печатка і підпис сервісного центру	Печатка і підпис сервісного центру









